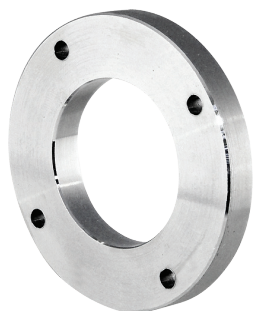
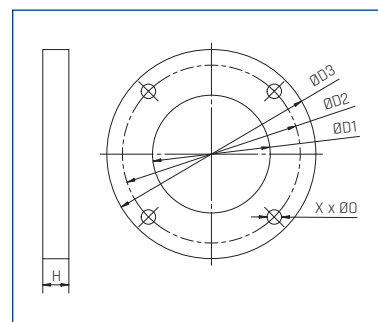


## Welding flange



### DIMENSIONS [mm]

Type	ØD1	ØD2	ØD3	H	X	Ø0	article number
SC10	45	68	80	10	4	5,5	45516500
SC20	45	68	80	10	4	5,5	45516500
DSC/PSC/SC30	58	85	104	10	4	6,5	45516510
DSC/PSC/SC40	75	110	130	10	4	9,0	45516520
SC50/SC46	100	130	150	10	4	9,0	45516530

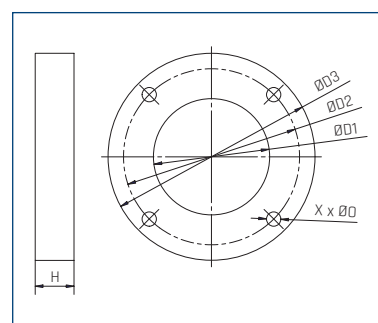


## Threaded flange

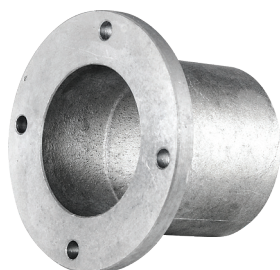


### DIMENSIONS [mm]

Type	ØD1	ØD2	ØD3	H	X	Ø0	article number
SC10	R1 1/2"x15	68	80	15	4	5,5	45516600
SC20	R1 1/2"x15	68	80	15	4	5,5	45516600
DSC/PSC/SC30	R2"x15	85	104	15	4	6,5	45516610
DSC/PSC/SC40	R2 1/2"x20	110	130	20	4	9,0	45516620
SC50/SC46	R3 1/2"x20	130	150	20	4	9,0	45516630

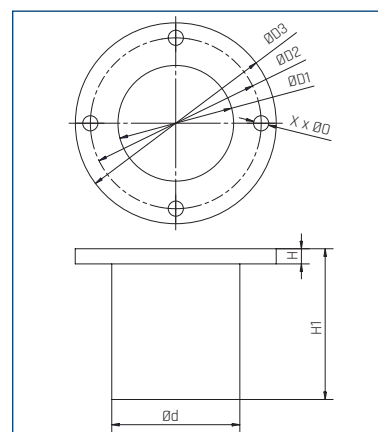


## Suction connection

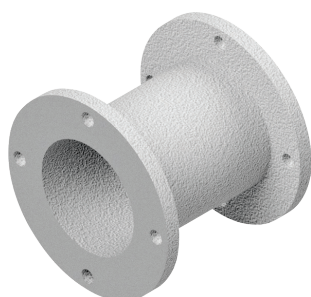


### DIMENSIONS [mm]

Type	Ød	ØD1	ØD2	ØD3	H	H1	X	Ø0	article number
SC10	51	46	68	80	6	60	4	6,0	46515210
SC20	51	46	68	80	6	60	4	6,0	46515210
DSC/PSC/SC30	63	57	85	100	6	60	4	7,0	46515220
DSC/PSC/SC40	76	70	110	130	10	60	4	9,0	46515230
SC50/SC46	102	96	130	145	9	60	4	9,0	46515240

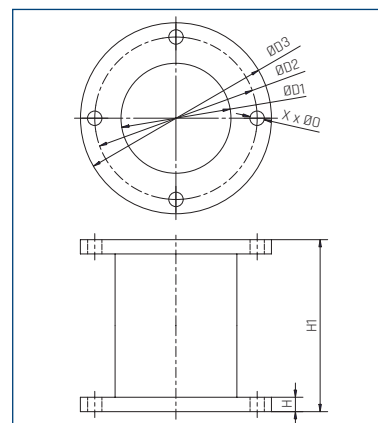


## Double flange connection



### DIMENSIONS [mm]

Type	ØD1	ØD2	ØD3	H	H1	X	Ø0	article number
SC10	46	68	80	6	72	4	6	46515160
SC20	46	68	80	6	72	4	6	46515160
DSC/PSC/SC30	57	85	100	6	72	4	6	46515170
DSC/PSC/SC40	70	110	130	10	80	4	9	46515180
SC50/SC46	90	130	145	9	78	4	9	46515190

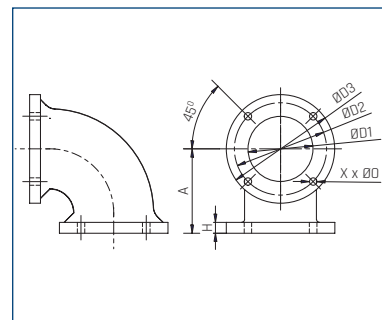


## Elbow

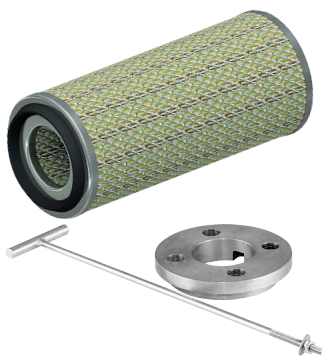


### DIMENSIONS [mm]

Type	A	ØD1	ØD2	ØD3	H	X	ØD	article number
SC10	67	45	68	80	10	4	6	25515285
SC20	67	45	68	80	10	4	6	25515285
DSC/PSC/SC30	86	55	85	100	10	4	7	25515286
DSC/PSC/SC40	105	75	110	130	10	4	9	25515287
SC50/SC46	153	100	130	145	10	4	9	25515288



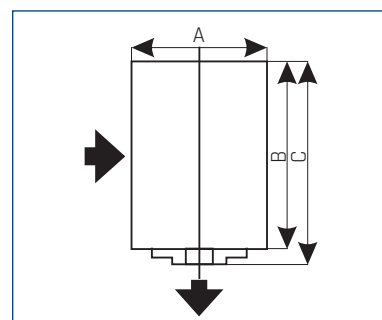
## Filter + filter flange\*



### DIMENSIONS [mm]

Type	A	B	C	article number filter	article number filter flange
SC10	126	281	294	46515039	46515110
SC20	126	281	294	46515039	46515110
DSC/PSC/SC30	126	281	294	46515039	46515120
DSC/PSC/SC40	198	363	373	46515038	46515130
SC50/SC46	198	363	373	46515038	46515140

\* Use when sucking the agent from the environment.



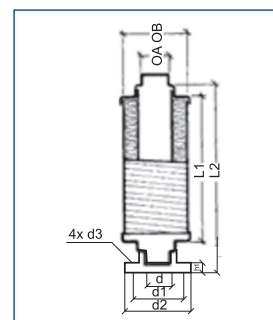
## Silencer + connection flange\*\*



### DIMENSIONS [mm]

Type	A	B	d	d1	d2	d3	h1	L1	L2	article number silencer	article number connection flange
SC10	50	105	45	68	80	6,0	6	455	610	46525310	46515250
SC20	50	105	45	68	80	6,0	6	455	610	46525310	46515250
DSC/PSC/SC30	70	125	60	85	100	7,0	8	455	620	46525320	46515260
DSC/PSC/SC40	80	125	75	110	130	9,0	10	455	630	46525330	46515270
SC50/SC46	100	150	95	130	145	9,0	12	455	640	46525340	46515280

\*\* Use with free exhaust/suction of the agent to/from the environment.

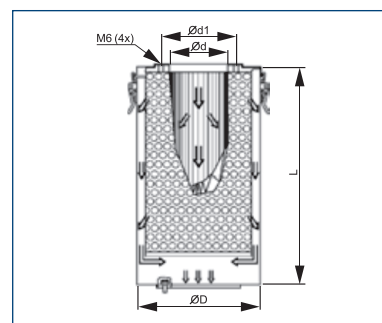


## Channel filter



### DIMENSIONS [mm]

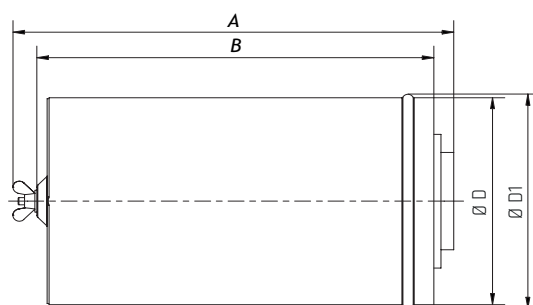
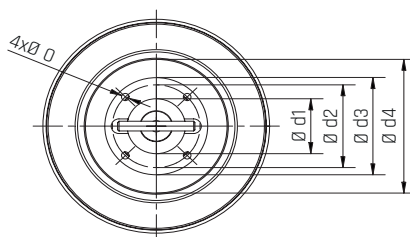
Type	ØD	Ød	L	Ød1	article number
SC10/SC20	156	51	374	68	46515070
DSC/PSC/SC30	156	63	374	68	46515075
DSC/PSC/SC40	219	76	394	110	46515080
SC50/SC46	219	101	394	130	46515085



## Air filter with cover



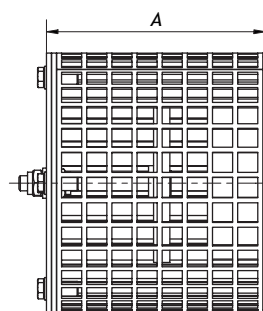
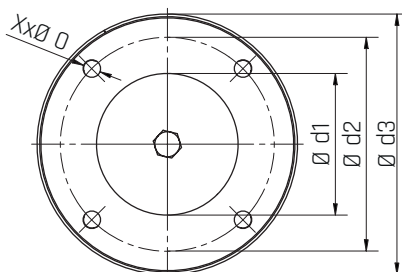
### DIMENSIONS [mm]



Type	A	B	ØD	ØD1	Ød1	Ød2	Ød3	Ød4	ØD	article number
SC10 SC20	342	308	170	176	45	68	80	110	6	46515151
SC30/DSC30/PSC30	344	308	170	176	55	85	100	120	7	46515152
SC40/DSC40/PSC40	434	394	265	271	75	110	130	150	10	46515153
SC46/SC50	434	394	265	271	100	130	145	200	10	46515154

## Flange with valve

### DIMENSIONS [mm]

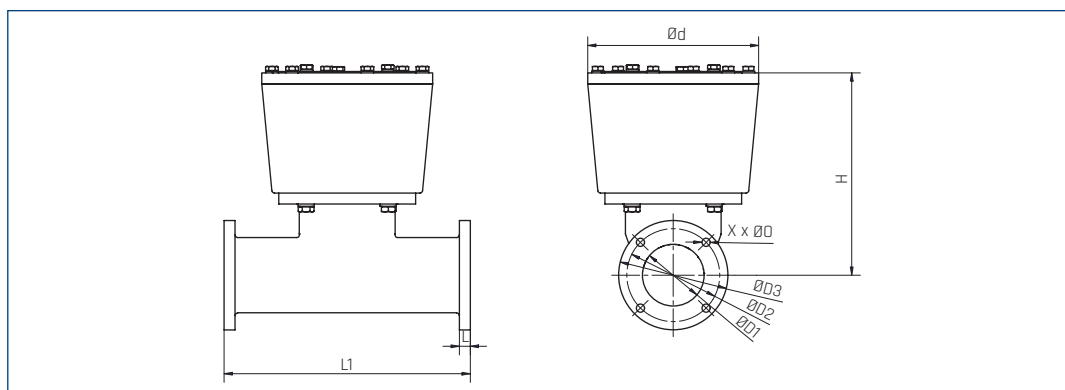


Type	A	Ød1	Ød2	Ød3	X	ØD	article number
SC10 SC20	87	46	68	85	4	6	46515511
SC30/DSC30/PSC30	87	56	85	104	4	7	46515512
SC40/DSC40/PSC40	97	76	110	132	4	9	46515513
SC46/SC50	97	101	130	151	4	9	46515514

## Overload valve

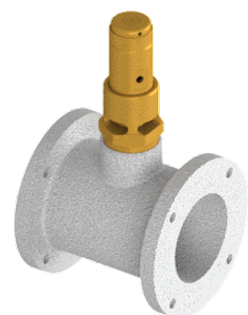


DIMENSIONS [mm]

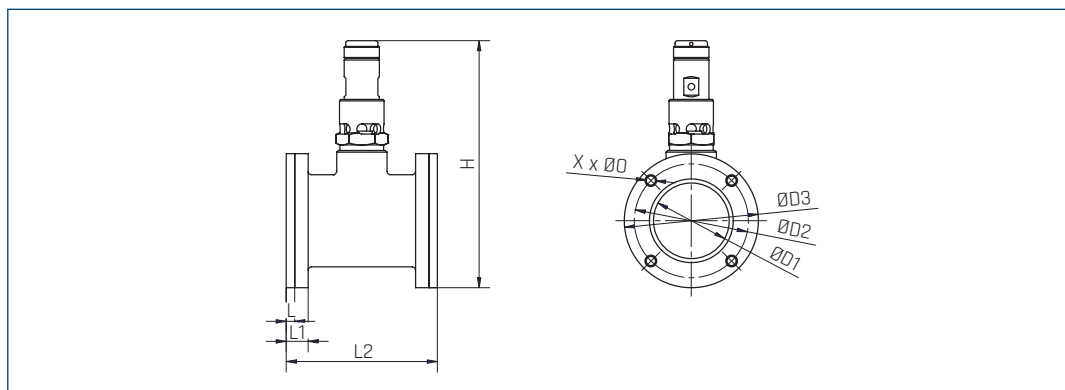


Type	Ød	Ø01	Ø02	Ø03	H	L	L1	X	Ø0	article number
SC10 PRESSURE	125	46	68	80	150	8	180	4	6	46515520
SC10 VACUUM	125	46	68	80	150	8	180	4	6	46515522
SC20 PRESSURE	125	46	68	80	150	8	180	4	6	46515524
SC20 VACUUM	125	46	68	80	150	8	180	4	6	46515526
SC30/PSC30 PRESSURE	125	57	85	100	150	8	180	4	7	46515530
SC30/PSC30 VACUUM	125	57	85	100	150	8	180	4	7	46515532
DSC30 PRESSURE	125	57	85	100	150	8	180	4	7	46515534
DSC30 VACUUM	125	57	85	100	150	8	180	4	7	46515536
SC40/PSC40 PRESSURE	180	70	110	130	210	8	206	4	9	46515540
SC40/PSC40 VACUUM	180	70	110	130	210	8	206	4	9	46515542
DSC40 PRESSURE	180	70	110	130	210	8	206	4	9	46515544
DSC40 VACUUM	180	70	110	130	210	8	206	4	9	46515546
SC46/SC50 PRESSURE	180	96	130	145	210	8	206	4	9	46515550
SC46/SC50 VACUUM	180	96	130	145	210	8	206	4	9	46515552

## Overpressure valve



DIMENSIONS [mm]

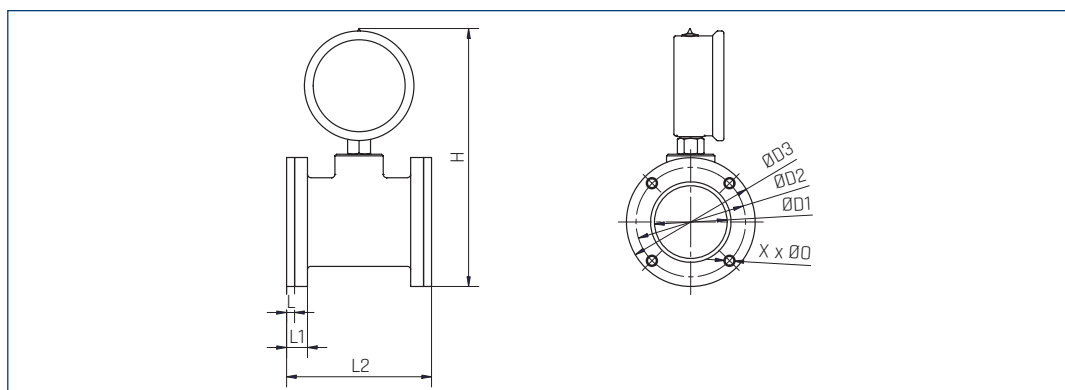


Type	Ø01	Ø02	Ø03	H	L	L1	L2	X	Ø0	article number 0-200 mbar	article number 0-300 mbar	article number 0-400 mbar
SC10	45	68	80	148	5	13	90	4	5,5	72000058	72000059	-
SC20	45	68	80	148	5	13	90	4	5,5	72000058	72000059	-
DCS/PSC/SC30	58	85	104	172	5	13	90	4	6,5	-	72000060	-
DCS/PSC/SC40	75	110	130	197	5	13	90	4	9	72000062	72000063	-
SC46/SC50	100	130	150	218	5	13	90	4	9	72000064	72000065	72000066

## Manometer



### DIMENSIONS [mm]

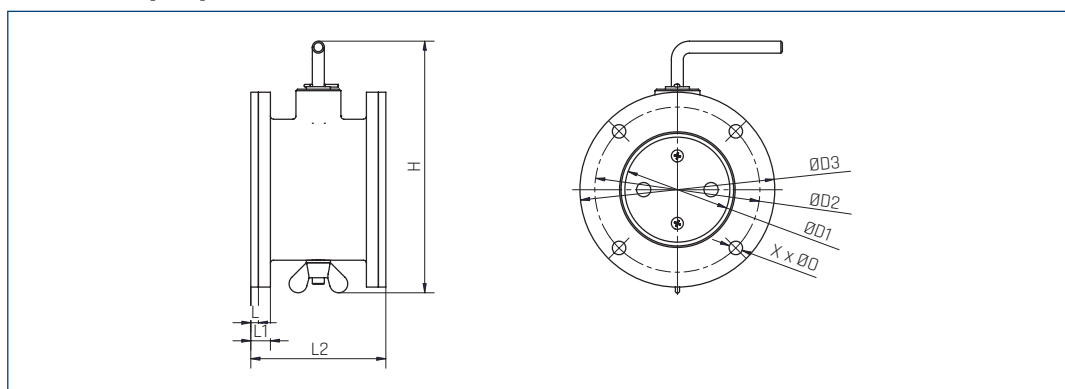


Type	ØD1	ØD2	ØD3	H	L	L1	L2	X	ØØ	article number overpressure manometer	article number vacuumpres- sure manometer
SC10	45	68	80	159	5	13	90	4	5,5	46515460	46515461
SC20	45	68	80	159	5	13	90	4	5,5	46515460	46515461
DCS/PSC/SC30	58	85	104	183	5	13	90	4	6,5	46515470	46515471
DCS/PSC/SC40	75	110	130	209	5	13	90	4	9	46515480	46515481
SC46/SC50	100	130	150	229	5	13	90	4	9	46515490	46515491

## Manual throttle

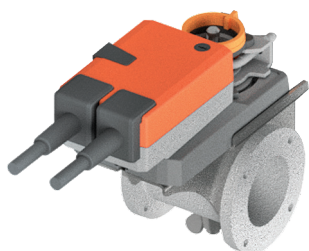


### DIMENSIONS [mm]

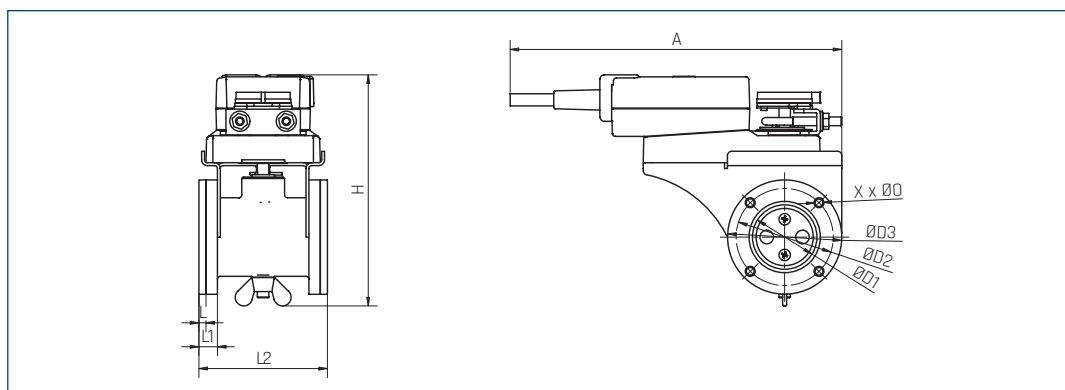


Type	ØD1	ØD2	ØD3	H	L	L1	L2	X	ØØ	article number
SC10	45	68	80	122	5	13	90	4	5,5	46515162
SC20	45	68	80	122	5	13	90	4	5,5	46515162
DCS/PSC/SC30	58	85	104	143	5	13	90	4	6,5	46515172
DCS/PSC/SC40	75	110	130	168	5	13	90	4	9	46515182
SC46/SC50	100	130	150	189	5	13	90	4	9	46515192

## Automatic throttle



### DIMENSIONS [mm]

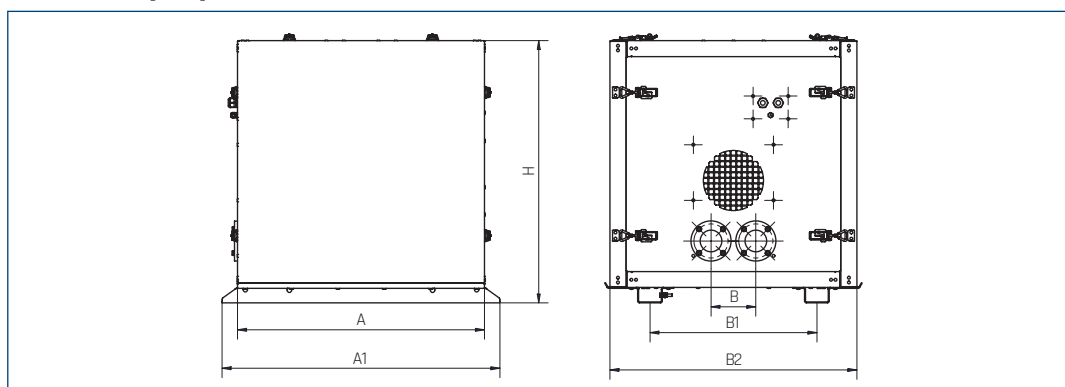


Type	A	ØD1	ØD2	ØD3	H	L	L1	L2	X	Ø0	article number
SC10	202	45	68	80	162	5	13	90	4	5,5	46515163
SC20	202	45	68	80	162	5	13	90	4	5,5	46515163
DCS/PSC/SC30	214	58	85	104	182	5	13	90	4	6,5	46515173
DCS/PSC/SC40	227	75	110	130	207	5	13	90	4	9	46515183
SC46/SC50	237	100	130	150	228	5	13	90	4	9	46515193

## Sound absorbing housing



### DIMENSIONS [mm]



Type	A	A1	B	B1	B2	H	article number
SC10	600	700	90	341	600	650	70510321
SC20	600	700	90	341	600	650	70510321
DCS/PSC/SC30	700	800	126	441	700	750	70510322
DCS/PSC/SC40	800	900	145	541	800	850	70510323
SC46/SC50	900	1000	160	613	900	950	70510324