

APPLICATION

ELF fans comply with the requirements of ATEX Directive 2014/34/UE, are designed for use in hazard zones excluding mines and mining pits, meets the requirements of group II category 2G/3G – zone 1 and/or 2.

ATEX marking:

II 2G Ex h IIB T3 Gb
II 2G Ex h IIB T4 Gb on request.

CONSTRUCTION

- low-pressure centrifugal fan with direct drive,
- the impeller is welded from galvanized steel sheet with forward curved blades, dynamically balanced according to ISO 1940-1,
- welded sheet steel housing,
- motor support in models from 160 to 450,
- galvanized protective mesh at inlet and outlet,
- painted in RAL 9005 black, (corrosivity category C3),
- maximum temperature of the transported medium is 60°C,
- figure LG90.

MOTOR

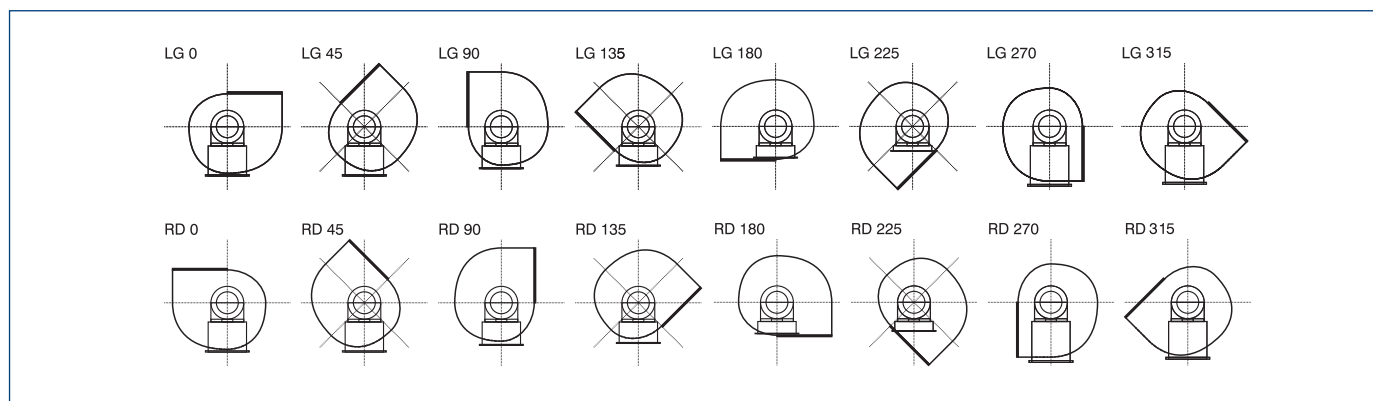
- explosionproof, asynchronous, three-phase, 230/400V 50Hz, 400/690V 50Hz (depending on the model),
- degree of protection IP55,
- degree of protection IP66 (fans suitable for frequency regulation),
- insulation class F,
- thermal protection PTC (depending on the model or motors suitable for frequency regulation),
- VFD models suitable for frequency regulation.

ON REQUEST

- different positions LG/RD,
- painting in a different color,
- impeller, housing and support made of stainless steel 1.4301,
- impeller, housing and support made of acid-proof steel 1.4404,
- different motor voltage and frequency,
- different motor degree of protection,
- motor equipped with sensors.



FIGURES



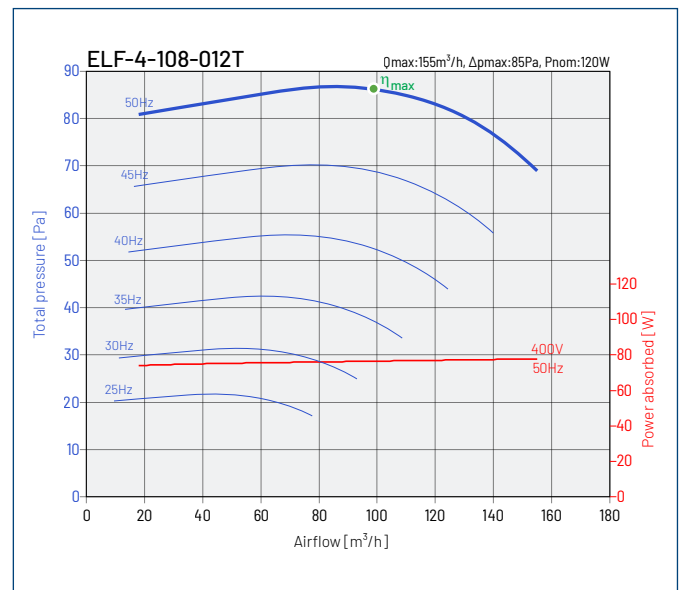
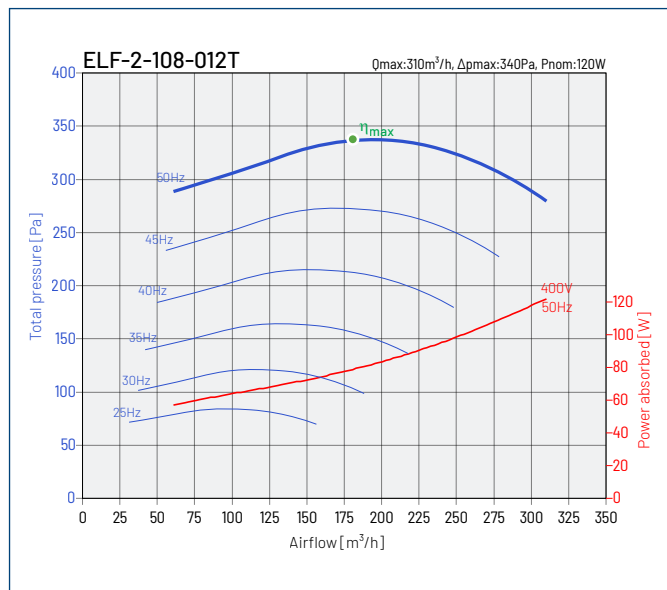
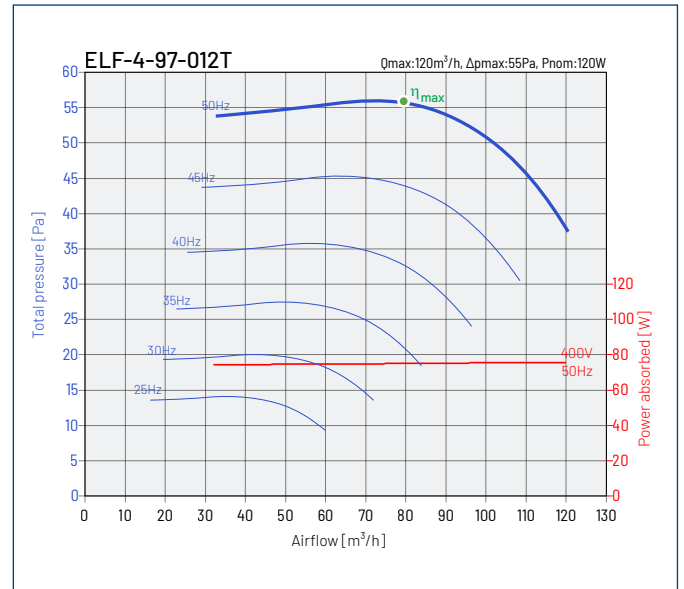
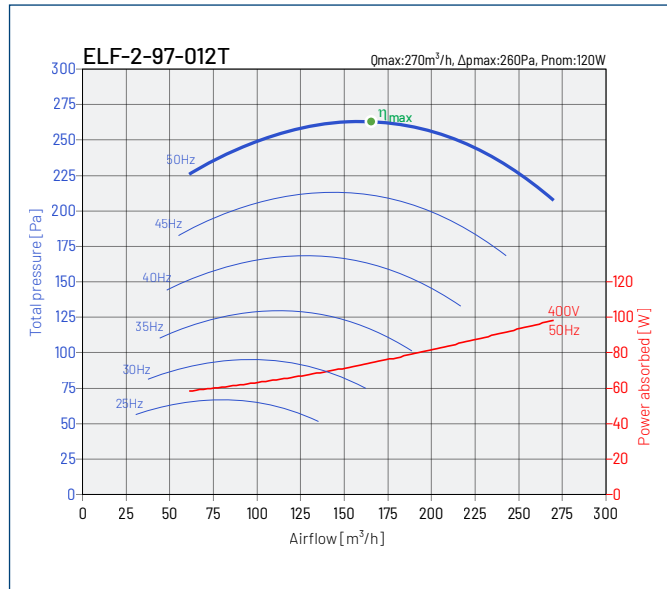
TECHNICAL CHARACTERISTICS

Type	airflow max	pressure max	motor power	speed	current max abs. (400V)	sound pressure level	temperature operating min max		weight	article number
	[m³/h]	[Pa]	[kW]	[rpm]	[A]	[dB(A)]	[°C]		[kg]	
ELF-2-97-009T	270	260	0,09	2760	0,40	58	-20	40	4,7	45523000
ELF-2-97-012T VFD	270	260	0,12	2800	0,48	58	-20	50	6,9	425523002
ELF-4-97-006T	120	55	0,06	1380	0,31	43	-20	40	4,7	45523001
ELF-4-97-012T VFD	120	55	0,12	1390	0,49	43	-20	50	7,5	425523003
ELF-2-108-009T	310	340	0,09	2760	0,40	61	-20	40	4,7	45523010
ELF-2-108-012T VFD	310	340	0,12	2800	0,48	61	-20	50	6,9	425523012
ELF-4-108-006T	155	85	0,06	1380	0,31	46	-20	40	4,7	45523011
ELF-4-108-012T VFD	155	85	0,12	1390	0,49	46	-20	50	7,6	425523013
ELF-2-120-012T	560	470	0,12	2750	0,40	63	-20	40	5,5	425523020
ELF-2-120-012T VFD	560	470	0,12	2800	0,48	63	-20	50	7,4	425523022
ELF-4-120-006T	280	115	0,06	1380	0,31	48	-20	40	5,1	45523021
ELF-4-120-012T VFD	280	115	0,12	1390	0,49	48	-20	50	8,0	425523023
ELF-2-133-018T	665	570	0,18	2820	0,60	63	-20	40	7,2	425523030
ELF-2-133-025T	750	570	0,25	2870	0,90	63	-20	40	8,0	425523031
ELF-2-133-018T VFD	665	570	0,18	2800	0,58	63	-20	50	8,4	425523033
ELF-2-133-025T VFD	750	570	0,25	2830	0,75	63	-20	50	8,4	425523034
ELF-4-133-006T	375	140	0,06	1380	0,31	48	-20	40	5,7	45523032
ELF-4-133-012T VFD	375	140	0,12	1390	0,49	48	-20	50	8,4	425523035
ELF-2-146-037T	850	640	0,37	2870	0,95	68	-20	40	9,2	425523040
ELF-2-146-037T VFD	850	640	0,37	2890	1,13	68	-20	50	10,8	425523042
ELF-4-146-006T	425	170	0,06	1380	0,31	53	-20	40	6,1	45523041
ELF-4-146-012T VFD	425	170	0,12	1390	0,49	53	-20	50	8,8	425523043
ELF-2-160-037T	940	850	0,37	2870	0,95	73	-20	40	11,1	425523050
ELF-2-160-055T	1150	850	0,55	2850	1,30	73	-20	40	11,1	425523054
ELF-2-160-037T VFD	940	850	0,37	2890	1,13	73	-20	50	10,7	425523052
ELF-2-160-055T VFD	1150	850	0,55	2890	1,49	73	-20	50	12,9	425523055
ELF-4-160-012T	575	210	0,12	1400	0,40	58	-20	40	12,7	425523051
ELF-4-160-012T VFD	575	210	0,12	1390	0,49	58	-20	50	12,7	425523053
ELF-2-180-075T	1450	1060	0,75	2890	1,80	74	-20	40	16,2	435523060
ELF-2-180-075T VFD	1450	1060	0,75	2885	1,59	74	-20	50	17,8	435523062
ELF-4-180-025T	800	265	0,25	1410	0,85	59	-20	40	13,8	425523061
ELF-4-180-025T VFD	800	265	0,25	1430	0,79	59	-20	50	13,2	425523063
ELF-2-200-150T	2130	1300	1,5	2925	3,00	75	-20	40	25,1	435523070
ELF-2-200-150T VFD	2130	1300	1,5	2885	3,16	75	-20	50	24,6	435523072
ELF-4-200-055T	1300	350	0,55	1420	1,50	60	-20	40	18,7	425523071
ELF-4-200-055T VFD	1300	350	0,55	1445	1,32	60	-20	50	19,3	425523073
ELF-2-225-300T	3350	1660	3	2915	5,80	79	-20	40	41,3	435523080
ELF-2-225-300T VFD	3350	1660	3	2885	5,72	79	-20	50	47,1	435523082
ELF-4-225-055T	1680	415	0,55	1420	1,50	64	-20	40	26,1	425523081
ELF-4-225-055T VFD	1680	415	0,55	1440	1,32	64	-20	50	29,2	425523083
ELF-2-250-550T	4680	2240	5,5	2940	10,00	84	-20	40	79,8	435523090
ELF-2-250-550T VFD	4680	2240	5,5	2935	10,58	84	-20	50	72,8	435523092
ELF-4-250-075T	2750	530	0,75	1430	2,10	69	-20	40	37,1	435523091
ELF-4-250-075T VFD	2750	530	0,75	1445	1,85	69	-20	50	38,3	435523093
ELF-2-280-550T	3970	2530	5,5	2940	10,00	87	-20	40	80,8	435523100
ELF-2-280-550T VFD	3970	2530	5,5	2935	10,58	87	-20	50	73,8	435523102
ELF-4-280-110T	2460	630	1,1	1450	2,50	72	-20	40	42,1	435523101
ELF-4-280-110T VFD	2460	630	1,1	1440	2,61	72	-20	50	41,6	435523103
ELF-4-315-300T	6610	1020	3	1465	6,30	78	-20	40	64,6	435523110
ELF-4-315-300T VFD	6610	1020	3	1465	6,30	78	-20	40	64,6	435523112
ELF-6-315-075T	3720	450	0,75	940	2,00	69	-20	40	56,0	435523111
ELF-6-315-075T VFD	3720	450	0,75	945	1,96	69	-20	50	56,5	435523113

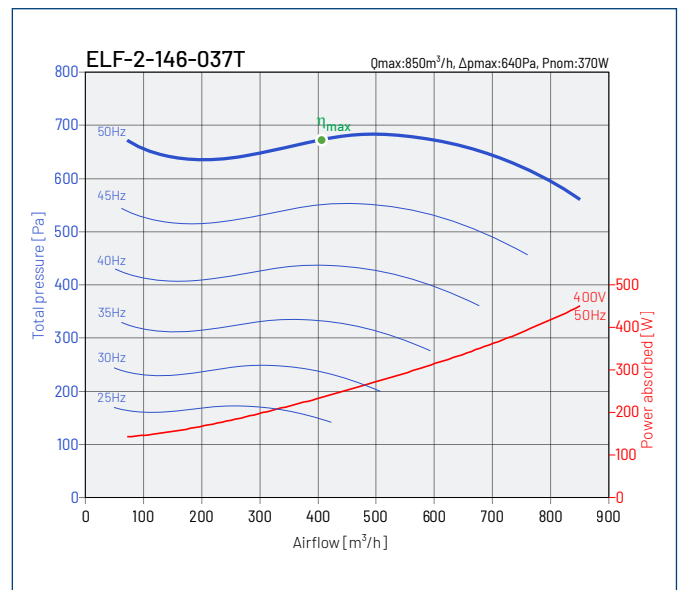
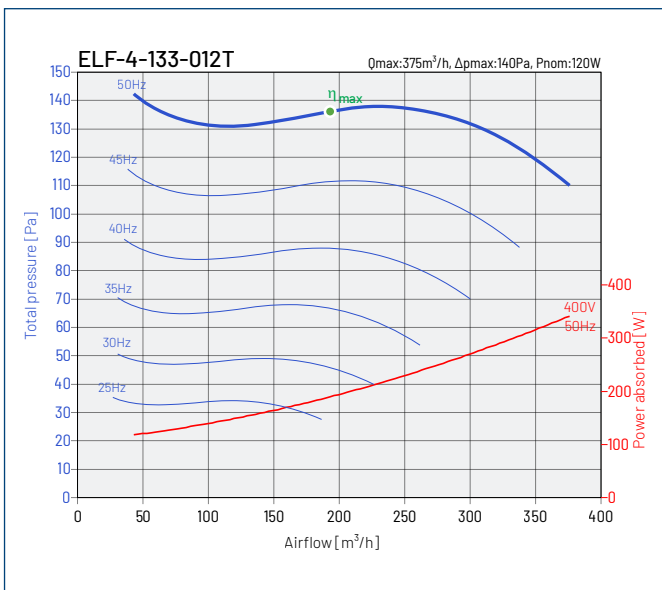
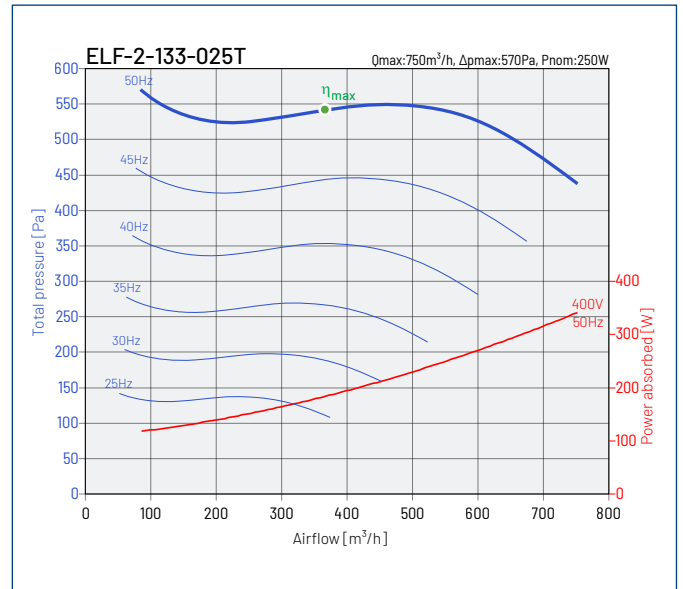
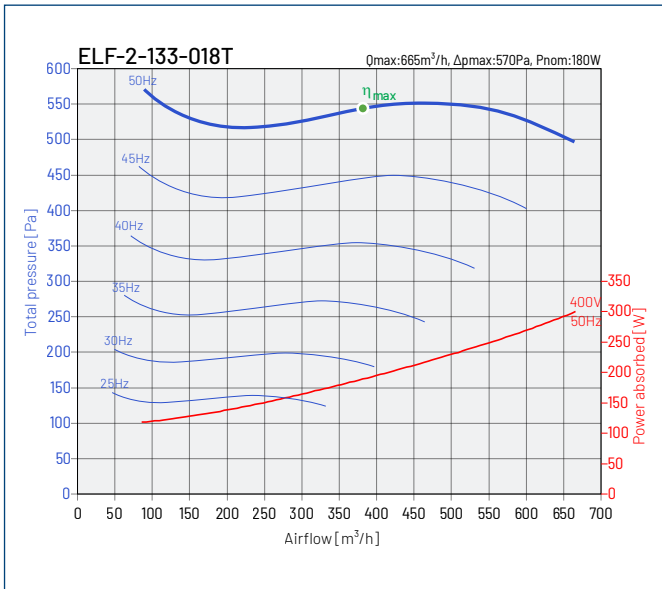
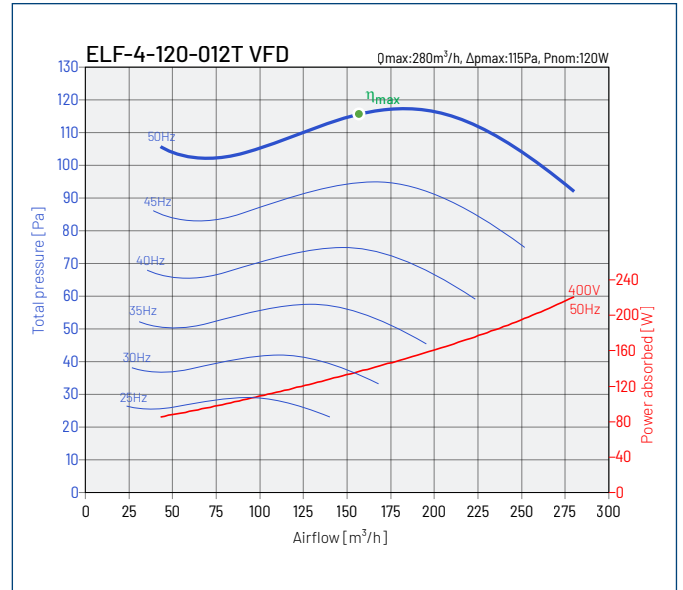
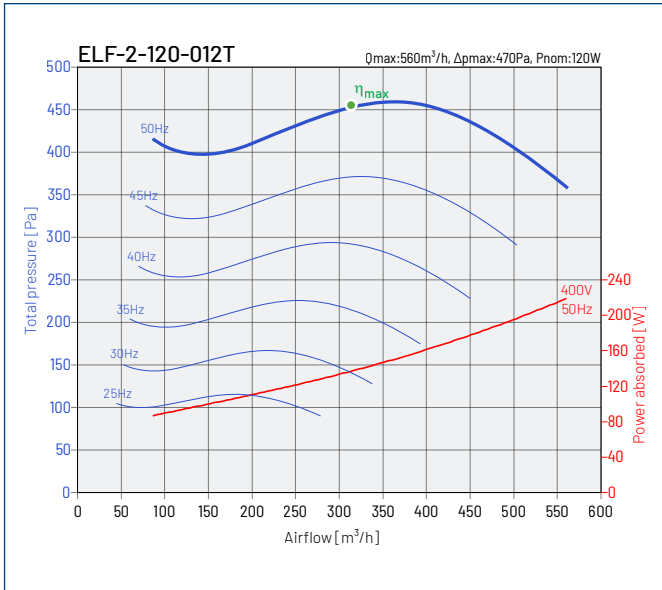
TECHNICAL CHARACTERISTICS

Type	airflow max	pressure max	motor power	speed	current max abs. (400V)	sound pressure level	temperature operating min max		weight	article number
	[m³/h]	[Pa]	[kW]	[rpm]	[A]	[dB(A)]	[°C]		[kg]	
ELF-4-355-400T	6430	1360	4	1455	8,10	78	-20	40	88,3	435523120
ELF-4-355-400T VFD	6430	1360	4	1455	7,64	78	-20	50	82,8	435523122
ELF-6-355-220T	4280	600	2,2	965	5,00	63	-20	40	80,8	435523121
ELF-6-355-220T VFD	4280	600	2,2	955	4,90	63	-20	50	89,8	435523123
ELF-4-400-750T	10760	1490	7,5	1465	14,40	79	-20	40	138,3	435523130
ELF-4-400-750T VFD	10760	1490	7,5	1465	15,03	79	-20	50	135,3	435523132
ELF-6-400-220T	7170	660	2,2	965	5,00	70	-20	40	105,3	435523131
ELF-6-400-220T VFD	7170	660	2,2	955	5,20	70	-20	50	114,3	435523133
ELF-6-450-550T	10760	910	5,5	960	11,10	74	-20	40	144,9	435523140
ELF-6-450-550T VFD	10760	910	5,5	960	11,10	74	-20	40	144,9	435523141

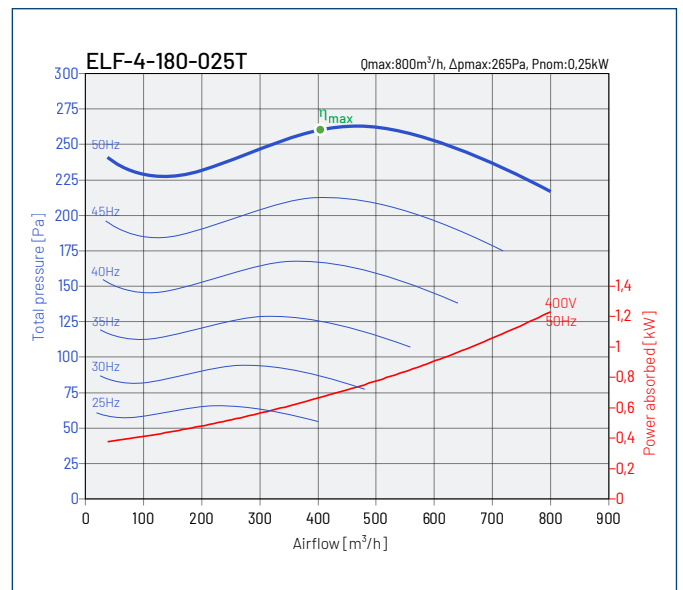
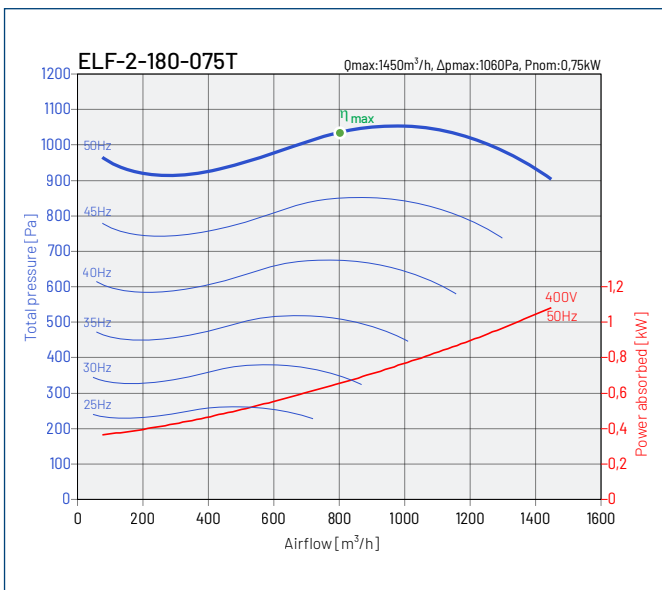
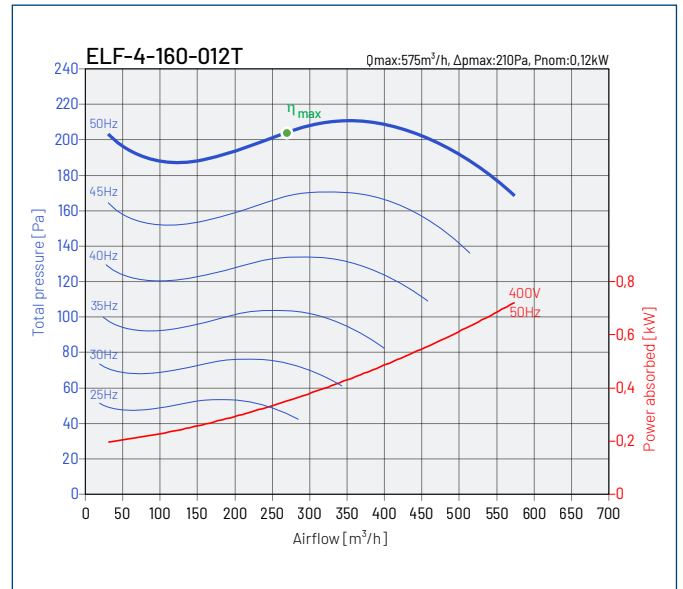
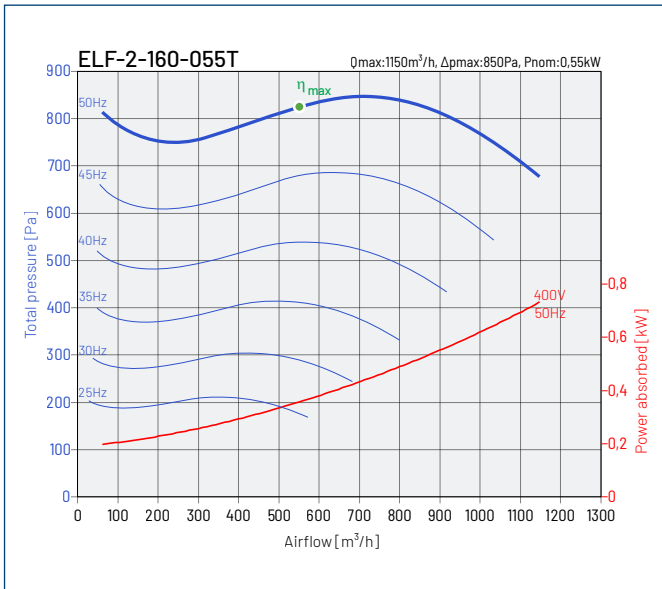
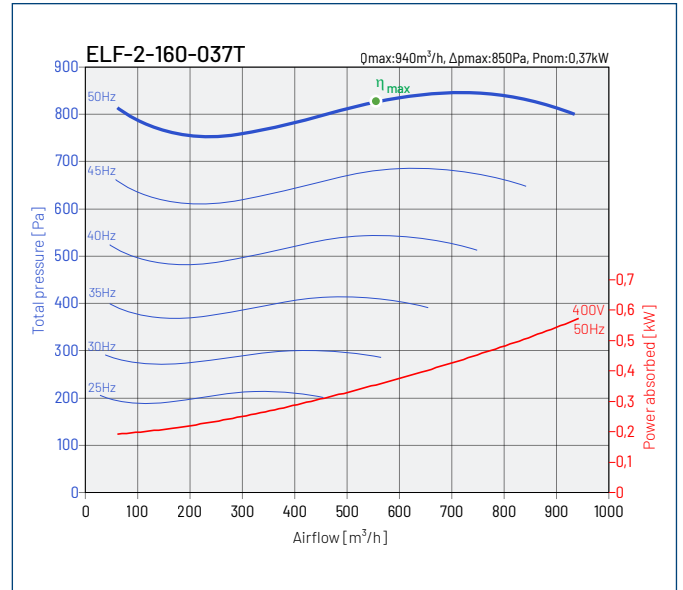
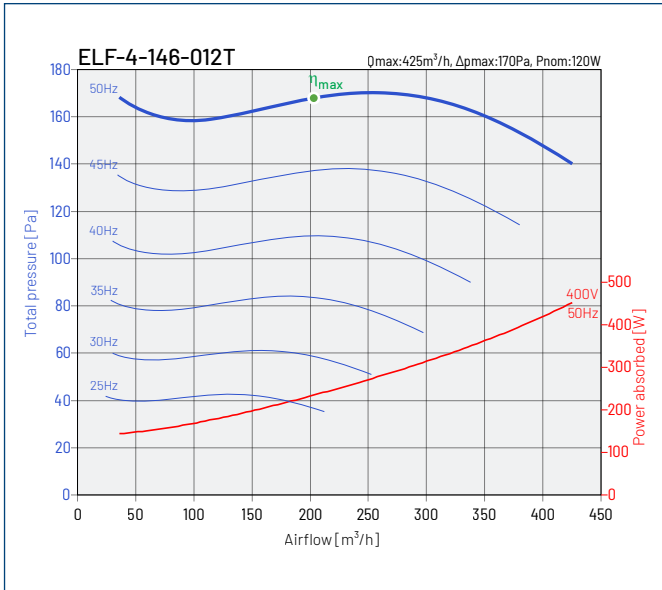
PERFORMANCE CURVES



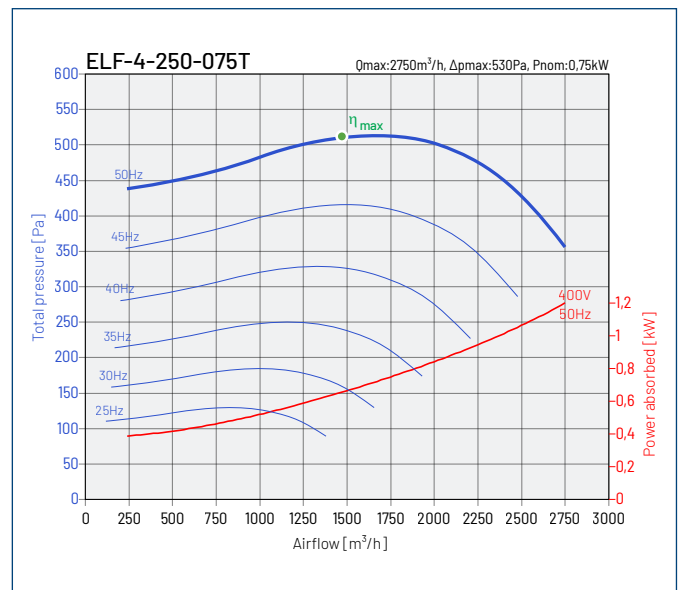
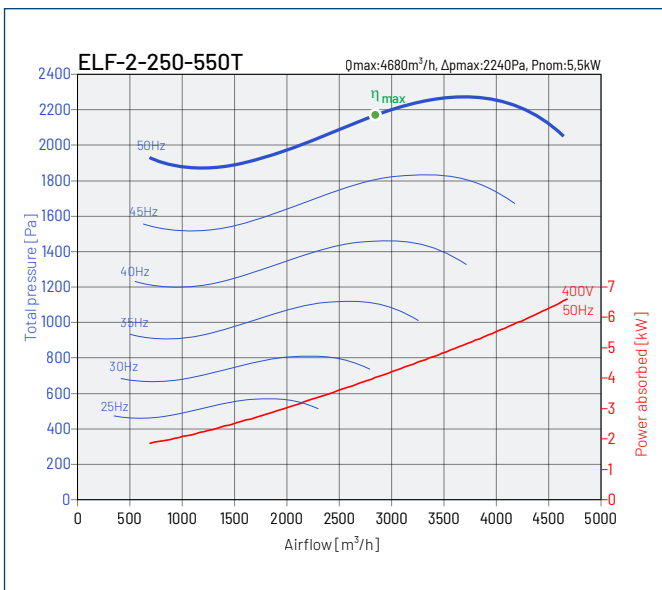
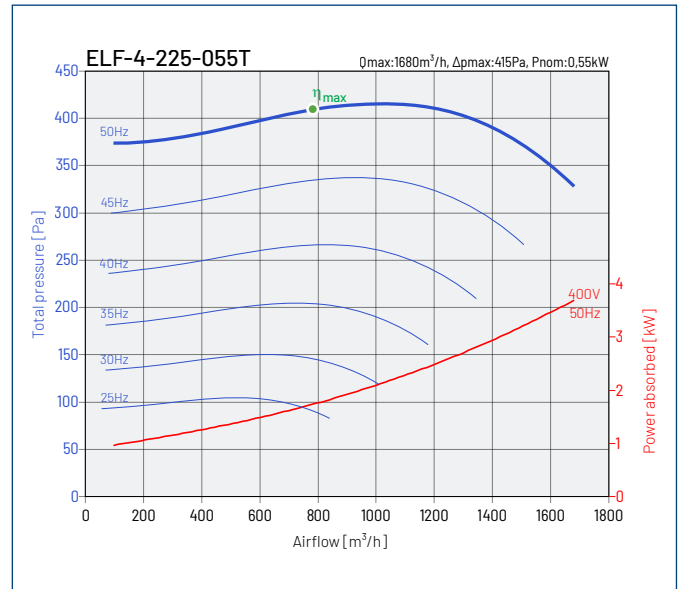
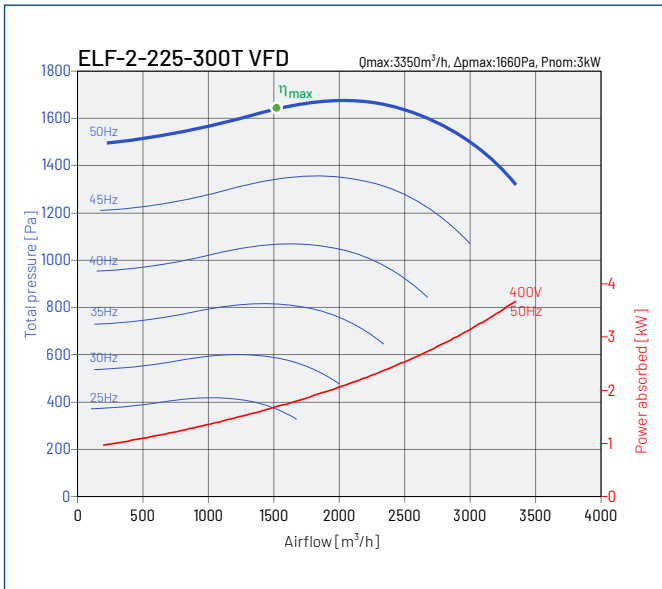
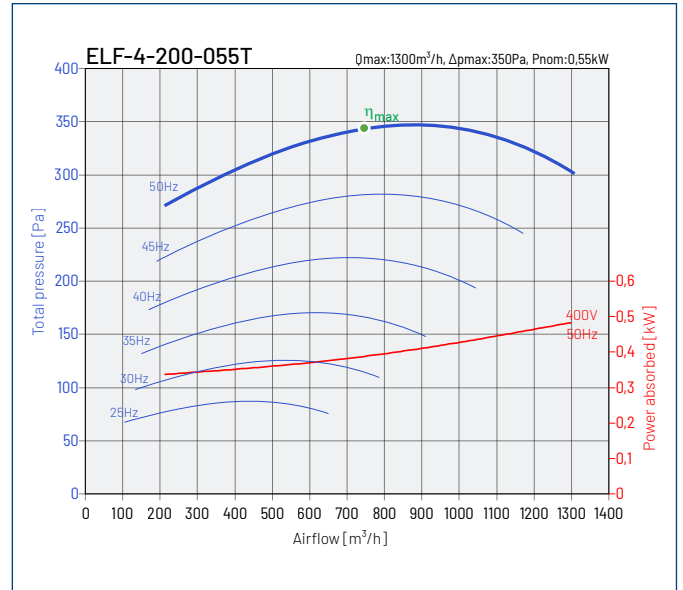
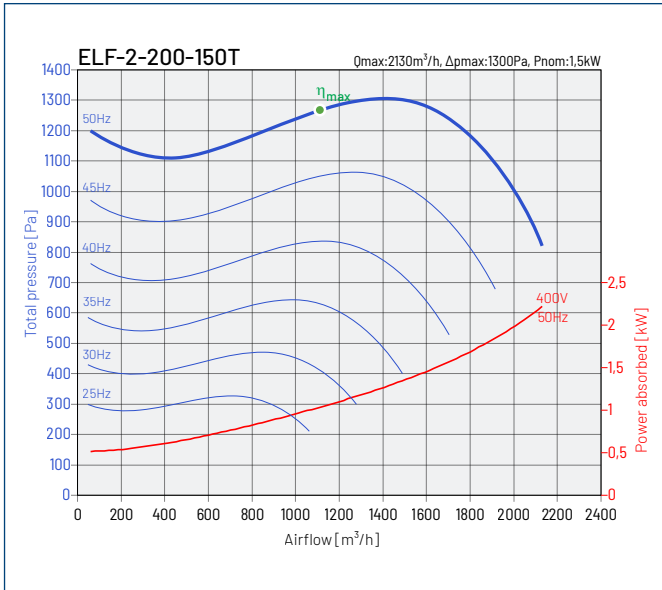
PERFORMANCE CURVES



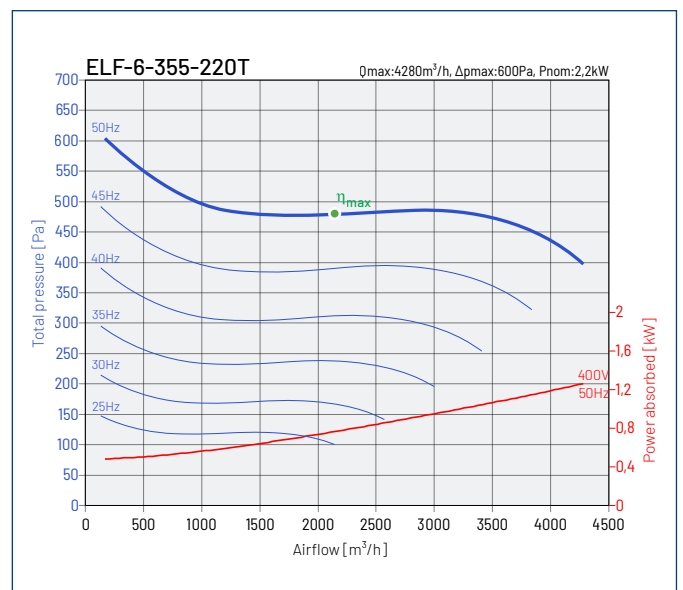
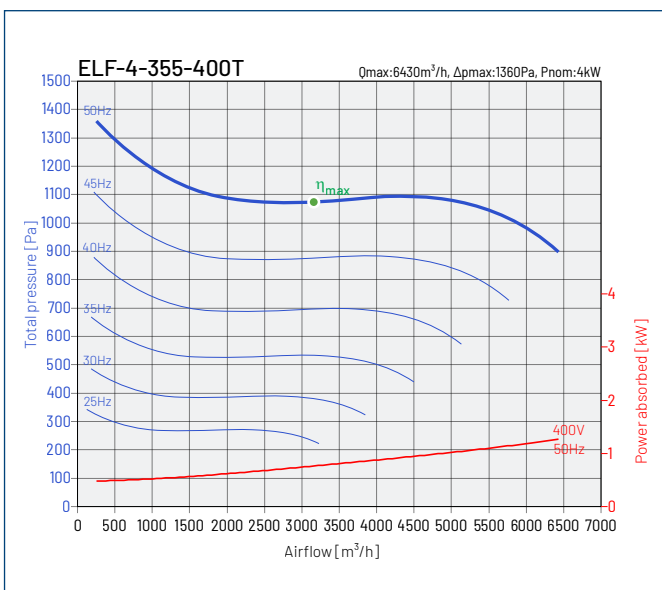
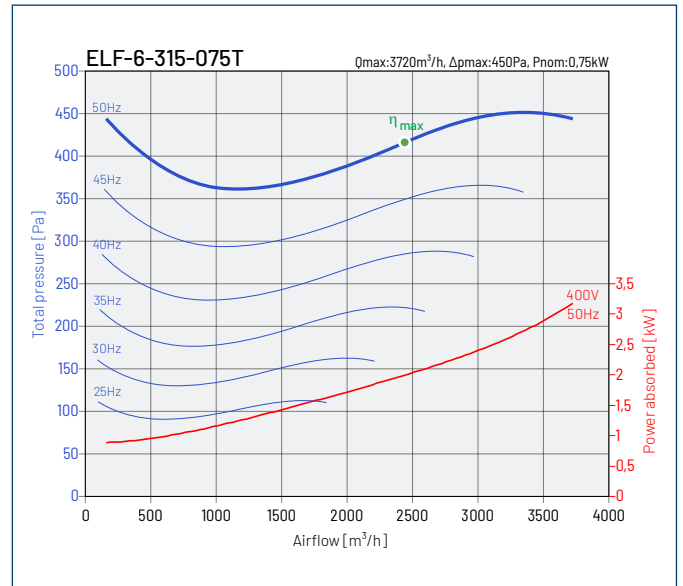
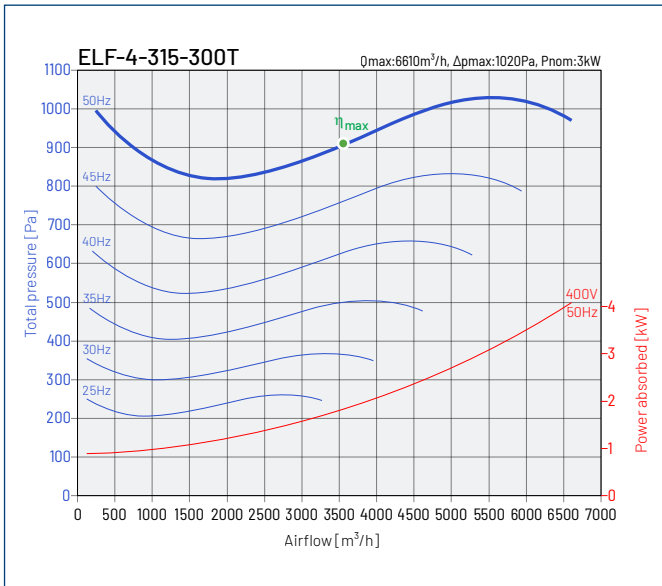
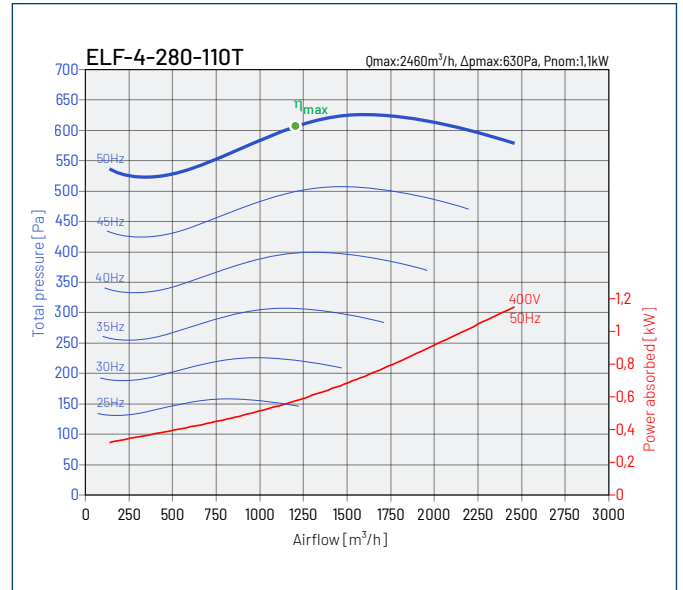
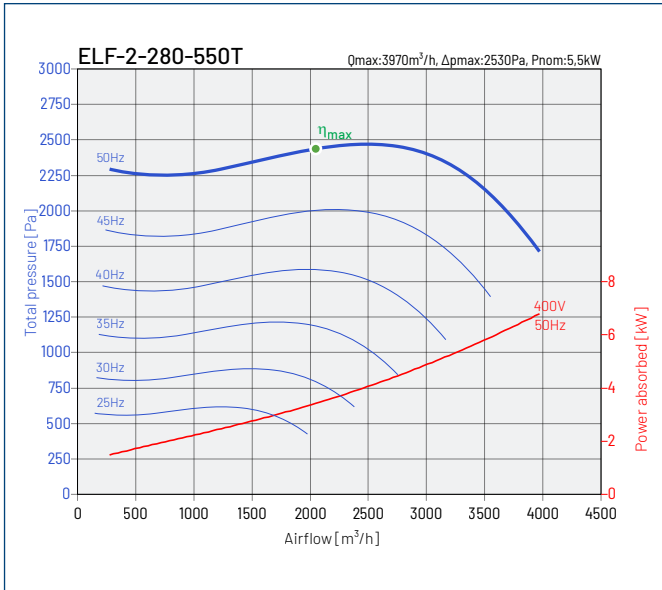
PERFORMANCE CURVES



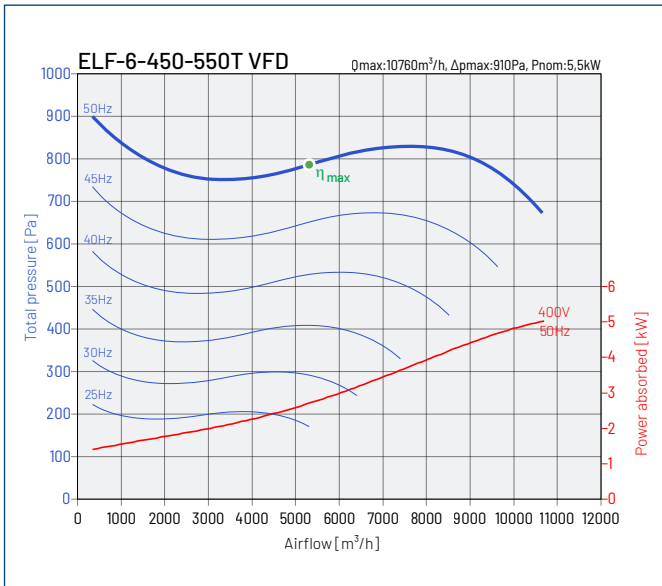
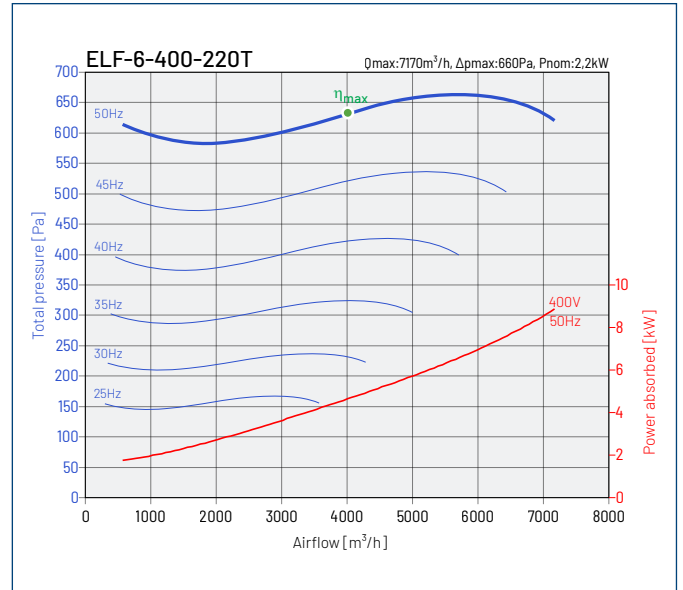
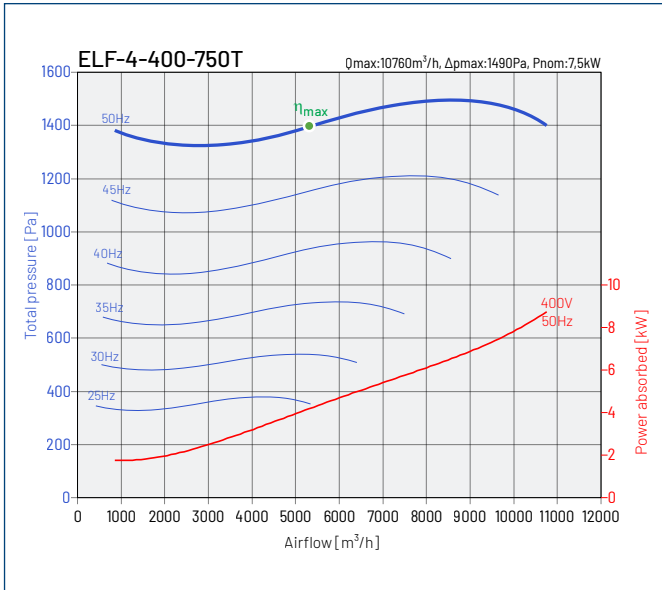
PERFORMANCE CURVES



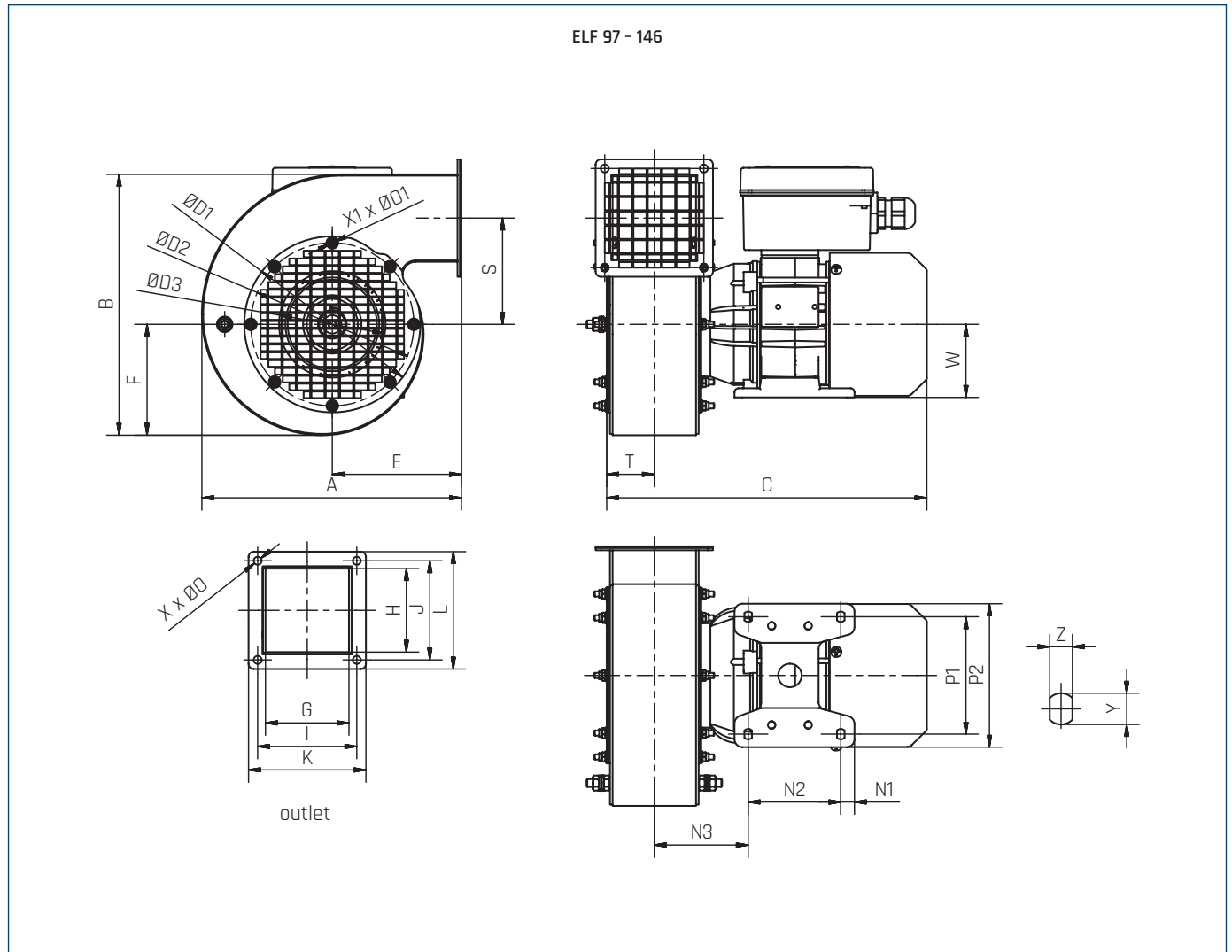
PERFORMANCE CURVES



PERFORMANCE CURVES



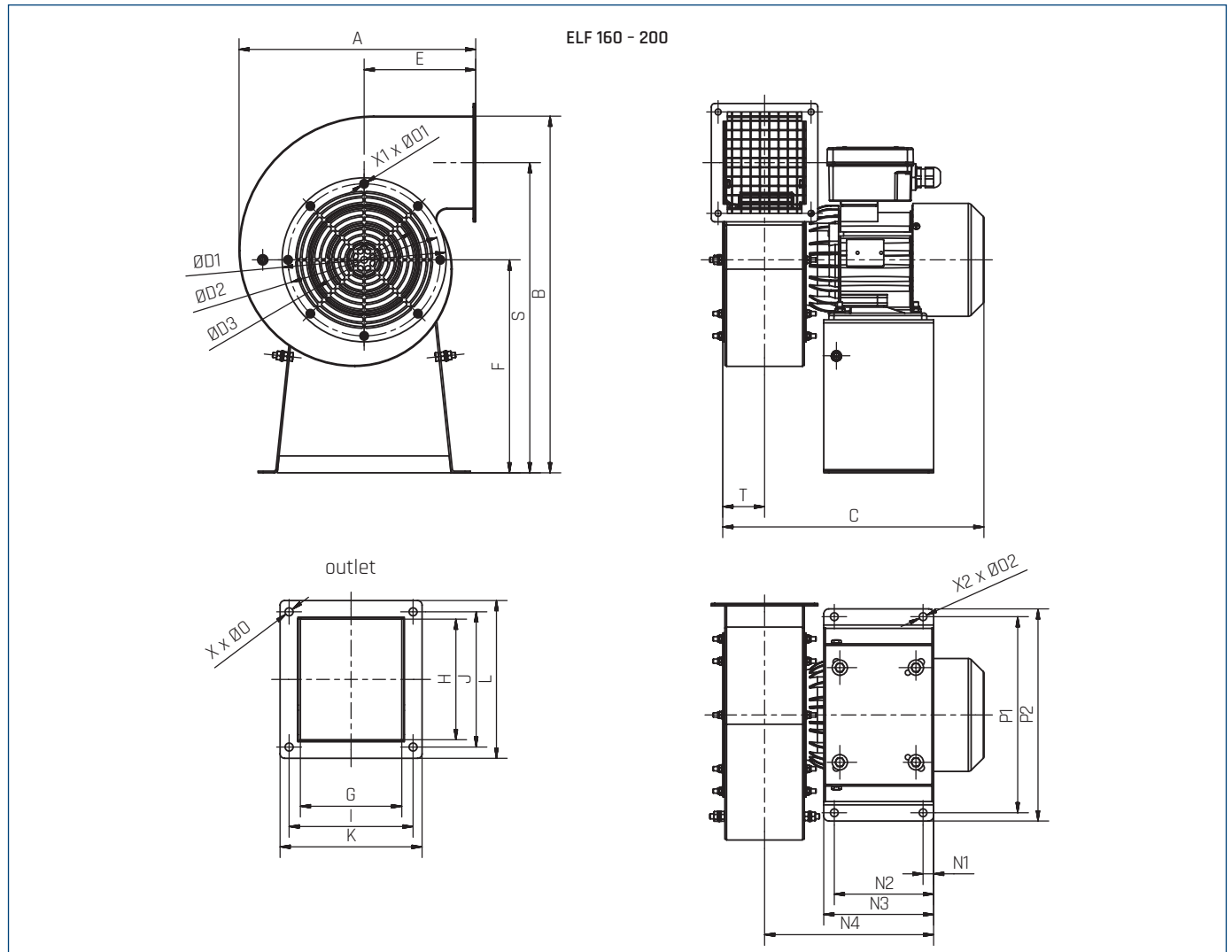
DIMENSIONS [mm]



Type	A	B	C*	ØD1	ØD2	ØD3	E	F	G	H	I	J	K	L	N1	N2	N3	Ø0	Ø01	P1	P2	S	T	W	X	X1	Y	Z
ELF-X-97	199	200	246	135	125	82	99	85	64	64	76	76	90	90	11	70	72	6	M4	90	110	82	37	56	4	8	8	6
ELF-X-97 VFD	199	200	272	135	125	82	99	85	64	64	76	76	90	90	13	80	81	6	M4	100	120	82	37	63	4	8	12	7
ELF-X-108	199	200	246	135	125	82	99	85	64	64	76	76	90	90	11	70	72	6	M4	90	110	82	37	56	4	8	8	6
ELF-X-108 VFD	199	200	272	135	125	82	99	85	64	64	76	76	90	90	13	80	81	6	M4	100	120	82	37	63	4	8	12	7
ELF-X-120	218	222	253	150	138	96	107	95	81	80	96	96	114	114	11	70	81	6	M4	90	110	86	45	56	4	8	8	6
ELF-X-120 VFD	218	222	278	150	138	96	107	95	81	80	96	96	114	114	13	80	90	6	M4	100	120	86	45	63	4	8	12	7
ELF-2-133	238	245	297	160	150	110	115	104	91	87	115	105	130	120	13	80	90	7	M4	100	124	97	50	63	4	8	10	7
ELF-4-133	238	245	268	160	150	110	115	104	91	87	115	105	130	120	11	71	86	7	M4	90	110	97	50	56	4	8	8	6
ELF-2-133 VFD	238	245	287	160	150	110	115	104	91	87	115	105	130	120	13	80	90	7	M4	100	120	97	50	63	4	8	12	7
ELF-4-133 VFD	238	245	287	160	150	110	115	104	91	87	115	105	130	120	13	80	95	7	M4	100	120	97	50	56	4	8	12	7
ELF-2-146	258	270	310	175	165	118	123	115	91	87	115	105	130	120	13	90	90	7	M4	112	142	110	50	71	4	8	10	7
ELF-4-146	258	270	268	175	165	118	123	115	91	87	115	105	130	120	11	71	81	7	M4	90	110	110	50	56	4	8	8	6
ELF-2-146 VFD	258	270	318	175	165	118	123	115	91	87	115	105	130	120	9	90	90	7	M4	112	112	110	50	71	4	8	12	7
ELF-4-146 VFD	258	270	287	175	165	118	123	115	91	87	115	105	130	120	13	80	90	7	M4	100	100	110	50	63	4	8	12	7

* dimension C depends on the motor used

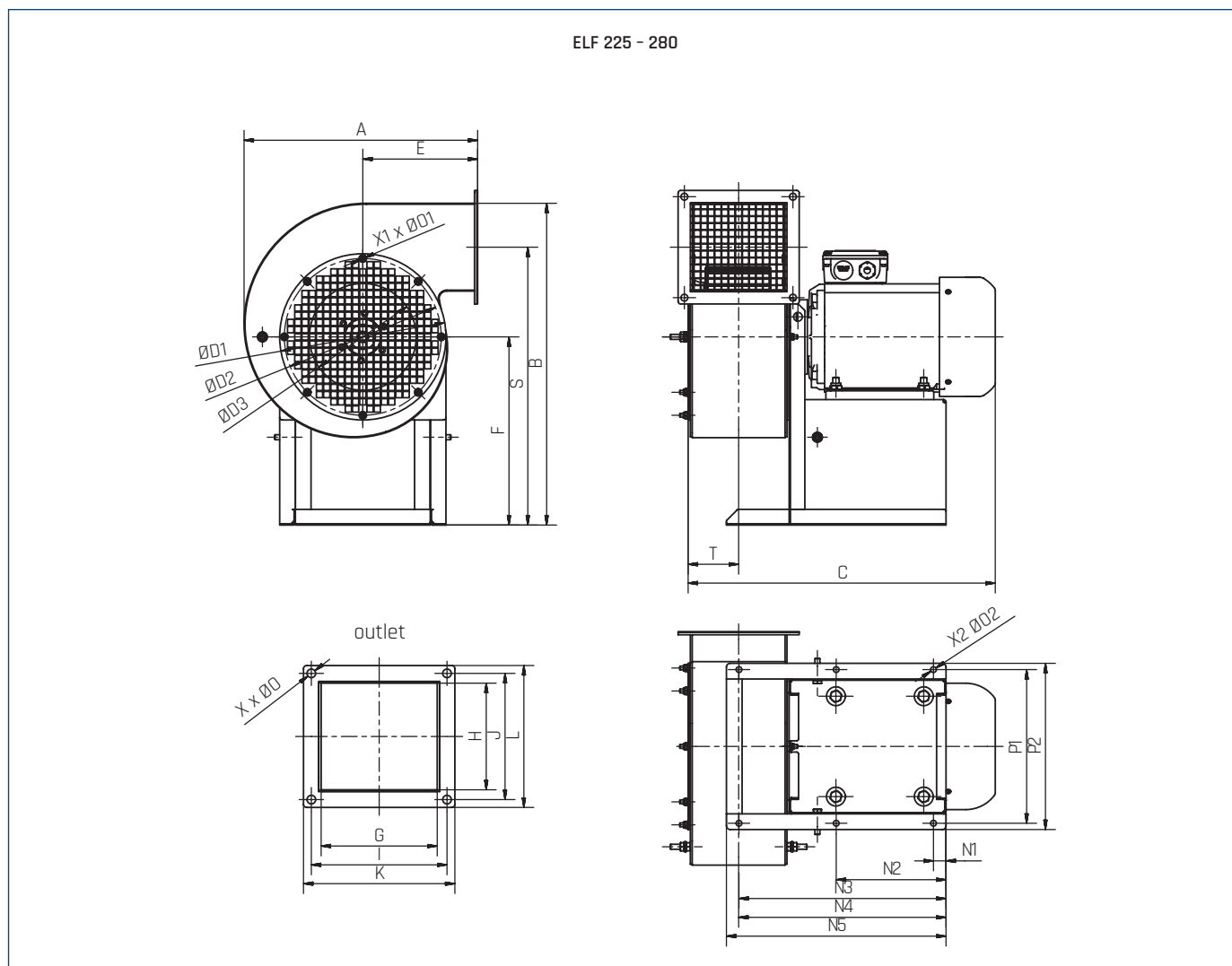
DIMENSIONS [mm]



Type	A	B	C*	ØØ1	ØØ2	ØØ3	E	F	G	H	I	J	K	L	N1	N2	N3	N4	ØØ	ØØ1	ØØ2	P1	P2	S	T	X	X1	X2
ELF-2-160	280	422	348	194	180	130	132	252	90	107	110	120	126	140	13	118	130	200	7	M5	9	232	251	367	50	4	8	4
ELF-4-160	280	414	296	194	180	130	132	244	90	107	110	120	126	140	13	118	130	200	7	M5	9	232	251	359	50	4	8	4
ELF-2-160 VFD	280	422	317	194	180	130	132	252	90	107	110	120	126	140	13	118	130	200	7	M5	9	232	251	367	50	4	8	4
ELF-4-160 VFD	280	414	287	194	180	130	132	244	90	107	110	120	126	140	13	118	130	200	7	M5	9	232	251	359	50	4	8	4
ELF-2-180	312	452	347	220	205	150	145	261	100	122	130	130	155	155	13	118	130	220	7	M5	9	232	251	390	55	4	8	4
ELF-4-180	312	443	338	220	205	150	145	252	100	122	130	130	155	155	13	118	130	210	7	M5	9	232	251	381	55	4	8	4
ELF-2-180 VFD	312	452	354	220	205	150	145	261	100	122	130	130	155	155	13	118	130	220	7	M5	9	232	251	390	55	4	8	4
ELF-4-180 VFD	312	443	332	220	205	150	145	252	100	122	130	130	155	155	13	118	130	210	7	M5	9	232	251	381	55	4	8	4
ELF-2-200	371	484	410	235	222	170	182	271	119	137	143	160	163	180	13	158	170	268	7	M5	9	242	261	414	65	4	8	4
ELF-4-200	371	474	367	235	222	170	182	261	119	137	143	160	163	180	13	158	170	268	7	M5	9	242	261	404	65	4	8	4
ELF-2-200 VFD	371	484	394	235	222	170	182	271	119	137	143	160	163	180	13	158	170	268	7	M5	9	242	261	414	65	4	8	4
ELF-4-200 VFD	371	474	374	235	222	170	182	261	119	137	143	160	163	180	13	158	170	268	7	M5	9	242	261	404	65	4	8	4

* dimension C depends on the motor used

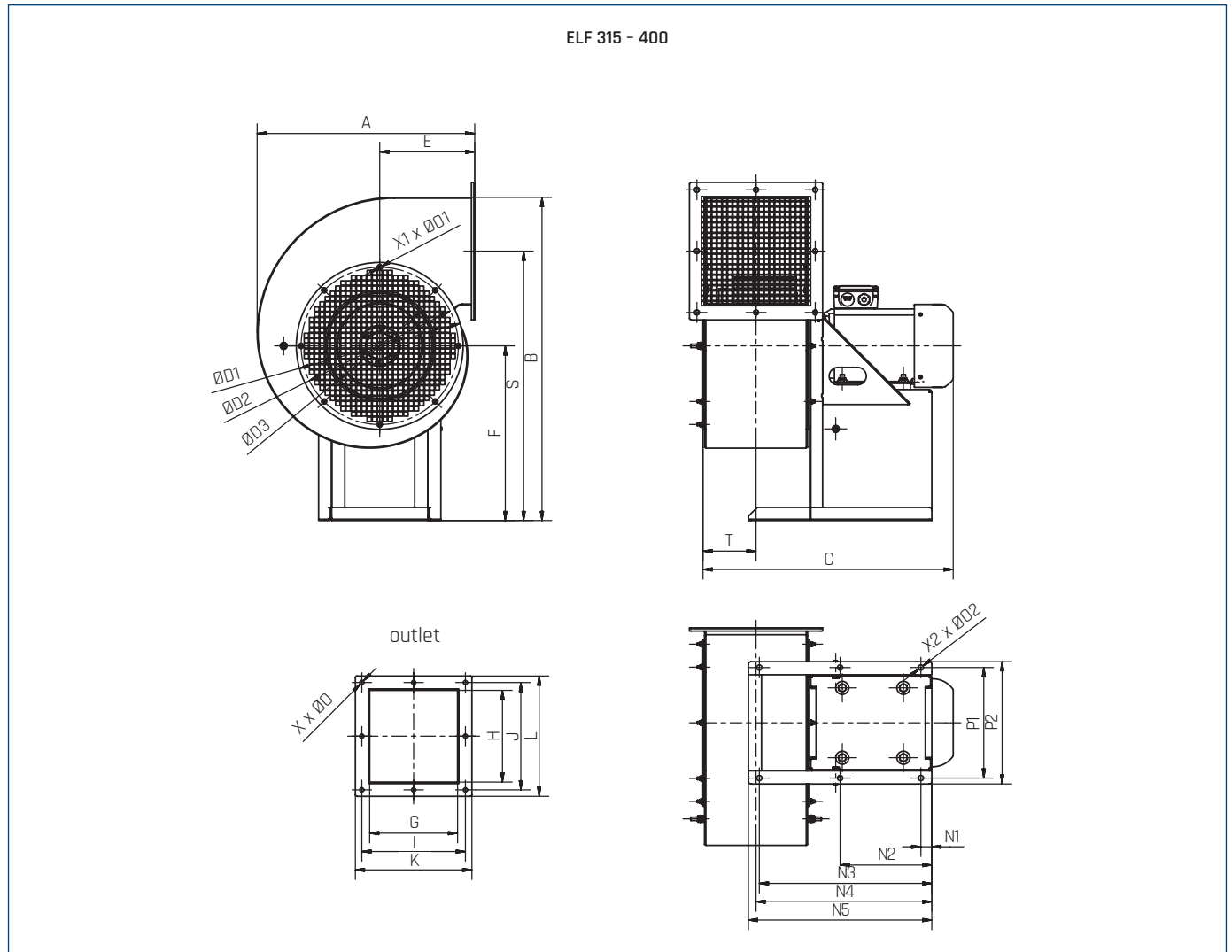
DIMENSIONS [mm]



Type	A	B	C*	Ø01	Ø02	Ø03	E	F	G	H	I	J	K	L	N1	N2	N3	N4	N5	Ø0	Ø01	Ø02	P1	P2	S	T	X	X1	X2
ELF-X-225 X	372	513	512	265	250	170	183	300	148	136	173	161	193	181	20	175	330	331	350	11	M6	9	245	265	443	81	4	8	6
ELF-X-250 X	417	618	626	310	290	203	204	370	168	190	210	230	235	255	20	190	360	380	380	11	M6	11	326	350	521	90	4	8	6
ELF-X-280 X	425	625	595	221	310	330	207	370	135	174	177	214	202	239	20	190	360	364	380	11	M6	11	326	350	536	74	4	8	6

* dimension C depends on the motor used

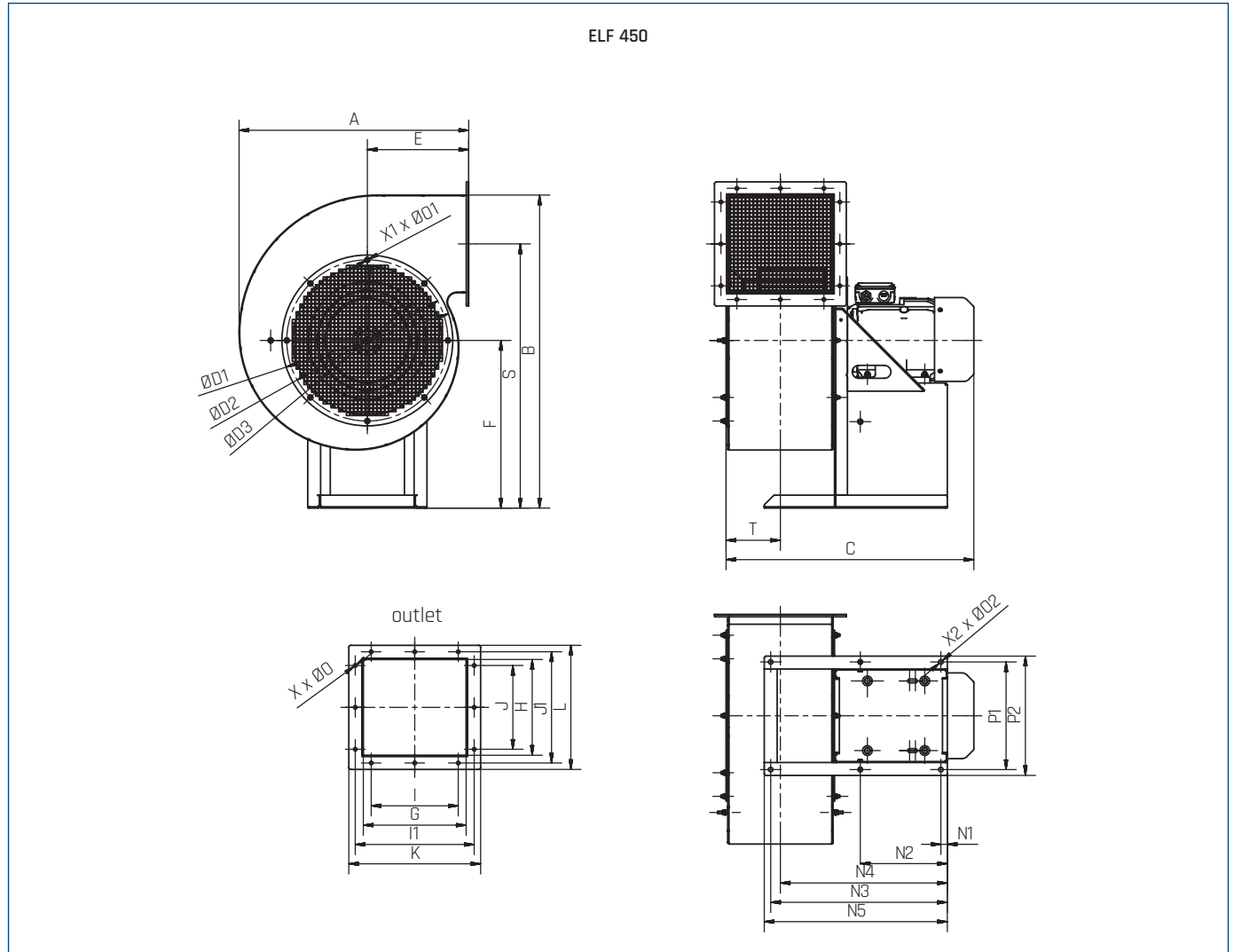
DIMENSIONS [mm]



Type	A	B	C*	ØD1	ØD2	ØD3	E	F	G	H	I	J	K	L	N1	N2	N3	N4	N5	Ø0	Ø01	Ø02	P1	P2	S	T	X	X1	X2
ELF-X-315 X	498	740	614	382	360	254	218	400	230	240	271	281	305	315	25	210	395	403	420	11	M6	12	253	280	617	122	8	8	6
ELF-X-355 X	580	761	612	410	390	287	261	410	217	215	255	252	286	282	25	210	395	397	420	11	M6	12	273	300	651	116	8	8	6
ELF-X-400 X	659	948	753	470	440	325	285	520	289	274	332	315	366	349	30	260	490	503	540	11	M8	14	394	430	808	154	8	8	6

* dimension C depends on the motor used

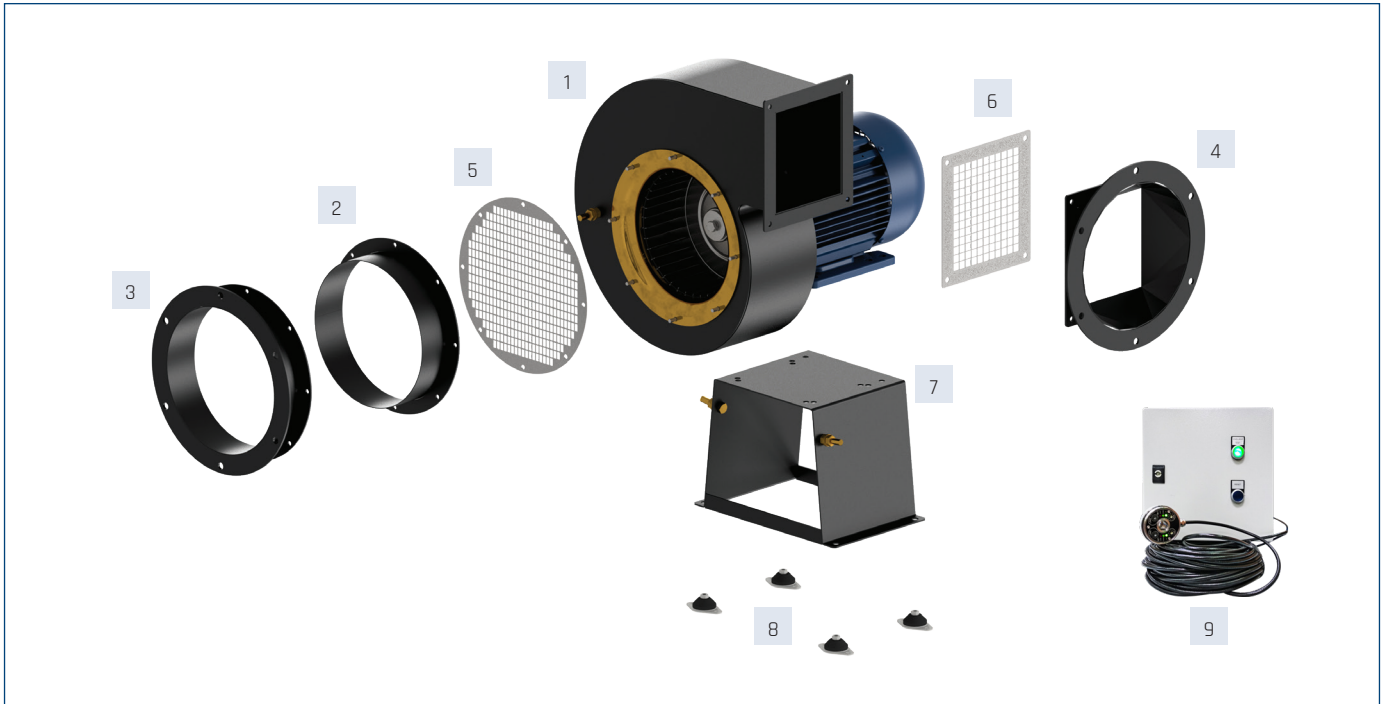
DIMENSIONS [mm]



Type	A	B	C	ØD1	ØD2	ØD3	E	F	G	H	I	I1	J	J1	K	L	N1	N2	N3	N4	N5	Ø0	Ø01	Ø02	P1	P2	S	T	X	X1	X2
ELF-X-450 X	713	971	769	530	500	365	315	520	319	297	270	369	260	345	409	385	20	270	548	518	568	11	M8	14	334	370	820	169	12	8	6

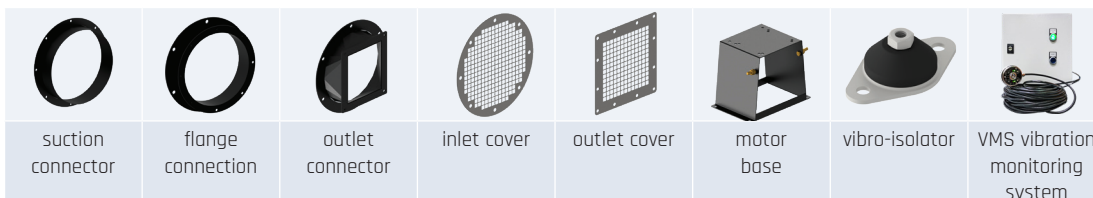
* dimension C depends on the motor used

ASSEMBLY ACCESSORIES



Type	Suction connector	Flange connector	Outlet connector	Inlet cover (as standard)	Outlet cover (as standard)	Motor base	vibro-isolator	VMS - Vibration monitoring system for Ex zones (zones 1 and 21) with integrity level
1	2	3	4	5	6	5	8	9
ELF-97	25513206	25513207	45517244	25513205-02	25513209-02	25513202-24	26040960	40015520
ELF-108	25513206-10	25513207-10	45517244-10	25513205-02	25513209-02	25513202-24	26040960	40015520
ELF-120	25513215-10	25513216-10	45517241-10	25513214-10	25513218-10	25513202-24	26040960	40015520
ELF-133	25513215-12	25513216-12	45517245	25513214-12	25513218-12	25513202-24	26040960	40015520
ELF-146	25513215-14	25513216-14	45517246	25513214-14	25513218-12	25513651 25513202-24	26040960	40015520
ELF-160	25513225-10	25513226-10	45517247-10	25513224-10	25513228-10	-	26040960	40015520
ELF-180	25513235-10	25513236-10	45517243-10	25513234-10	25513238-10	-	26040960	40015520
ELF-200	25513245	25513246	25513247	25513244	25513248	-	26040960	40015520
ELF-225	25513255	25513256	45517251	25513254	25513258	-	26040960	40015520
ELF-250	25513265	25513266	25513267	25513264	25513268	-	26040965	40015520
ELF-280	25513300	25513301	25513302	25513633	25513634	-	26040965	40015520
ELF-315	25513275	25513276	45517253	25513274	25513278	-	26040965	40015520
ELF-355	25513305	25513306	25513307	25513615	25513614	-	26040965	40015520
ELF-400	25513285	25513286	45517254	25513284	25513288	-	26040965	40015520
ELF-450	25513295	25513296	45517255	25513294	25513298	-	26040965	40015520

accessories for fans made of carbon steel, accessories for stainless versions on request



ELECTRICAL ACCESSORIES

Fan	Service switch	ATEX safety switch	Inverter	UEK-230
ELF-2-97-009T	R-S 3-F + SP, 16A	R-B 3-F ATEX + SP, 10A		
ELF-2-97-012T VFD	R-S 3-F + SP, 16A	R-B 3-F ATEX + SP, 10A	L 0,4 kW	U-EK230E
ELF-4-97-006T	R-S 3-F + SP, 16A	R-B 3-F ATEX + SP, 10A		
ELF-4-97-012T VFD	R-S 3-F + SP, 16A	R-B 3-F ATEX + SP, 10A	L 0,4 kW	U-EK230E
ELF-2-108-009T	R-S 3-F + SP, 16A	R-B 3-F ATEX + SP, 10A		
ELF-2-108-012T VFD	R-S 3-F + SP, 16A	R-B 3-F ATEX + SP, 10A	L 0,4 kW	U-EK230E
ELF-4-108-006T	R-S 3-F + SP, 16A	R-B 3-F ATEX + SP, 10A		
ELF-4-108-012T VFD	R-S 3-F + SP, 16A	R-B 3-F ATEX + SP, 10A	L 0,4 kW	U-EK230E
ELF-2-120-012T	R-S 3-F + SP, 16A	R-B 3-F ATEX + SP, 10A		
ELF-2-120-012T VFD	R-S 3-F + SP, 16A	R-B 3-F ATEX + SP, 10A	L 0,4 kW	U-EK230E
ELF-4-120-006T	R-S 3-F + SP, 16A	R-B 3-F ATEX + SP, 10A		
ELF-4-120-012T VFD	R-S 3-F + SP, 16A	R-B 3-F ATEX + SP, 10A	L 0,4 kW	U-EK230E
ELF-2-133-018T	R-S 3-F + SP, 16A	R-B 3-F ATEX + SP, 10A		
ELF-2-133-025T	R-S 3-F + SP, 16A	R-B 3-F ATEX + SP, 10A		
ELF-2-133-018T VFD	R-S 3-F + SP, 16A	R-B 3-F ATEX + SP, 10A	L 0,4 kW	U-EK230E
ELF-2-133-025T VFD	R-S 3-F + SP, 16A	R-B 3-F ATEX + SP, 10A	L 0,4 kW	U-EK230E
ELF-4-133-006T	R-S 3-F + SP, 16A	R-B 3-F ATEX + SP, 10A		
ELF-4-133-012T VFD	R-S 3-F + SP, 16A	R-B 3-F ATEX + SP, 10A	L 0,4 kW	U-EK230E
ELF-2-146-037T	R-S 3-F + SP, 16A	R-B 3-F ATEX + SP, 10A		
ELF-2-146-037T VFD	R-S 3-F + SP, 16A	R-B 3-F ATEX + SP, 10A	L 0,75 kW	U-EK230E
ELF-4-146-006T	R-S 3-F + SP, 16A	R-B 3-F ATEX + SP, 10A		
ELF-4-146-012T VFD	R-S 3-F + SP, 16A	R-B 3-F ATEX + SP, 10A	L 0,4 kW	U-EK230E
ELF-2-160-037T	R-S 3-F + SP, 16A	R-B 3-F ATEX + SP, 10A		
ELF-2-160-055T	R-S 3-F + SP, 16A	R-B 3-F ATEX + SP, 10A		
ELF-2-160-037T VFD	R-S 3-F + SP, 16A	R-B 3-F ATEX + SP, 10A	L 0,75 kW	U-EK230E
ELF-2-160-055T VFD	R-S 3-F + SP, 16A	R-B 3-F ATEX + SP, 10A	L 0,75 kW	U-EK230E
ELF-4-160-012T	R-S 3-F + SP, 16A	R-B 3-F ATEX + SP, 10A		
ELF-4-160-012T VFD	R-S 3-F + SP, 16A	R-B 3-F ATEX + SP, 10A	L 0,4 kW	U-EK230E
ELF-2-180-075T	R-S 3-F + SP, 16A	R-B 3-F ATEX + SP, 10A		
ELF-2-180-075T VFD	R-S 3-F + SP, 16A	R-B 3-F ATEX + SP, 10A	L 0,75 kW	U-EK230E
ELF-4-180-025T	R-S 3-F + SP, 16A	R-B 3-F ATEX + SP, 10A		
ELF-4-180-025T VFD	R-S 3-F + SP, 16A	R-B 3-F ATEX + SP, 10A	L 0,4 kW	U-EK230E
ELF-2-200-150T	R-S 3-F + SP, 16A	R-B 3-F ATEX + SP, 10A		
ELF-2-200-150T VFD	R-S 3-F + SP, 16A	R-B 3-F ATEX + SP, 10A	L 1,5 kW	U-EK230E
ELF-4-200-055T	R-S 3-F + SP, 16A	R-B 3-F ATEX + SP, 10A		
ELF-4-200-055T VFD	R-S 3-F + SP, 16A	R-B 3-F ATEX + SP, 10A	L 0,75 kW	U-EK230E
ELF-2-225-300T	R-S 3-F + SP, 16A	R-B 3-F ATEX + SP, 10A		
ELF-2-225-300T VFD	R-S 3-F + SP, 16A	R-B 3-F ATEX + SP, 10A	L 4,0 kW	U-EK230E
ELF-4-225-055T	R-S 3-F + SP, 16A	R-B 3-F ATEX + SP, 10A		
ELF-4-225-055T VFD	R-S 3-F + SP, 16A	R-B 3-F ATEX + SP, 10A	L 0,75 kW	U-EK230E
ELF-2-250-550T	R-S 3-F + SP, 16A	R-B 3-F ATEX + SP, 20A		
ELF-2-250-550T VFD	R-S 3-F + SP, 16A	R-B 3-F ATEX + SP, 20A	L 5,5 kW	U-EK230E
ELF-4-250-075T	R-S 3-F + SP, 16A	R-B 3-F ATEX + SP, 10A		
ELF-4-250-075T VFD	R-S 3-F + SP, 16A	R-B 3-F ATEX + SP, 10A	L 0,75 kW	U-EK230E
ELF-2-280-550T	R-S 3-F + SP, 16A	R-B 3-F ATEX + SP, 20A		
ELF-2-280-550T VFD	R-S 3-F + SP, 16A	R-B 3-F ATEX + SP, 20A	L 5,5 kW	U-EK230E
ELF-4-280-110T	R-S 3-F + SP, 16A	R-B 3-F ATEX + SP, 10A		
ELF-4-280-110T VFD	R-S 3-F + SP, 16A	R-B 3-F ATEX + SP, 10A	L 1,5 kW	U-EK230E
ELF-4-315-300T	R-S 3-F + SP, 16A	R-B 3-F ATEX + SP, 10A		
ELF-4-315-300T VFD	R-S 3-F + SP, 16A	R-B 3-F ATEX + SP, 10A	L 4,0 kW	U-EK230E
ELF-6-315-075T	R-S 3-F + SP, 16A	R-B 3-F ATEX + SP, 10A		
ELF-6-315-075T VFD	R-S 3-F + SP, 16A	R-B 3-F ATEX + SP, 10A	L 0,75 kW	U-EK230E

ELECTRICAL ACCESSORIES

Fan	Service switch	ATEX safety switch	Inverter	UEK-230
ELF-4-355-400T	R-S 3-F + SP, 16A	R-B 3-F ATEX + SP, 10A		
ELF-4-355-400T VFD	R-S 3-F + SP, 16A	R-B 3-F ATEX + SP, 10A	L 4,0 kW	U-EK230E
ELF-6-355-220T	R-S 3-F + SP, 16A	R-B 3-F ATEX + SP, 10A		
ELF-6-355-220T VFD	R-S 3-F + SP, 16A	R-B 3-F ATEX + SP, 10A	L 2,2kW	U-EK230E
ELF-4-400-750T	R-S 3-F + SP, 16A	R-B 3-F ATEX + SP, 20A		
ELF-4-400-750T VFD	R-S 3-F + SP, 16A	R-B 3-F ATEX + SP, 20A	L 7,5kW	U-EK230E
ELF-6-400-220T	R-S 3-F + SP, 16A	R-B 3-F ATEX + SP, 10A		
ELF-6-400-220T VFD	R-S 3-F + SP, 16A	R-B 3-F ATEX + SP, 10A	L 2,2kW	U-EK230E
ELF-6-450-550T	R-S 3-F + SP, 16A	R-B 3-F ATEX + SP, 20A		
ELF-6-450-550T VFD	R-S 3-F + SP, 16A	R-B 3-F ATEX + SP, 20A	L 5,5kW	U-EK230E

Article numbers

R-S 3-F + SP, 10A	91040908-01	R-S 1-F + SP, 16A	91040907-02	R-S 3-F + SP, 16A	91040908	R-S 3-F + SP, 25A	91040910	R-S 3-F + SP, 40A	91040924
R-S 3-F + SP, 6B, 25A	91040911	R-S 3-F + SP, 6B, 40A	91040911-02	R-B 3-F ATEX + SP, 10A	44025761	R-B 3-F ATEX + SP, 20A	44025762	CAM SWITCH 0/Y/YY	91040913
L 0,4 kW	40016302	L 0,75 kW	40016312	L 1,5 kW	40016322	L 2,2 kW	40016332	L 4,0 kW	40016352
L 5,5 kW	40016362	L 7,5kW	40016372	U-EK230E	91040858				

