



APPLICATION

RH-R heaters are used in mechanical ventilation systems where it is necessary to periodically raise the temperature or maintain the temperature at a constant level in the rooms. They can also be used in technological processes that require the supply of constant temperature air.

CONSTRUCTION

Electric duct heaters with integrated regulator, suitable for installation directly in rectangular ducts. The housing is made of galvanized sheet steel and stainless steel heating elements. The heaters are fitted with a double overheat protection system as standard: the first automatic element (temp. +75°C), the second one with manual reset (temp. + 85°C). Channel heaters should be selected so that the outlet air temperature does not exceed +45°C. The airflow rate of the heaters must not be less than 1,5 m/s.

DESIGNATION

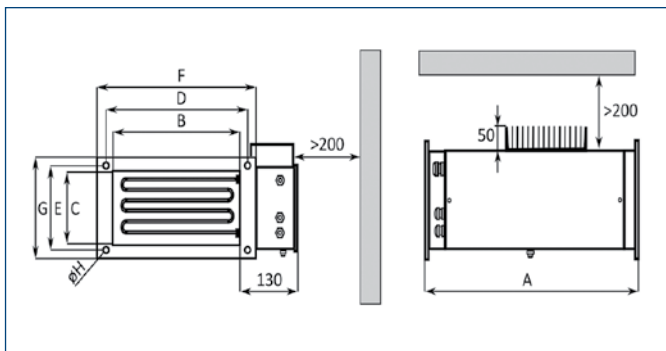
RH	-	R	-	40	/	20	-	90
1		2		3		4		5

1. Duct heater
2. Integrated regulator
3. Duct width
4. Duct height
5. Power coefficient
90 x 100 = 9000W

TECHNICAL CHARACTERISTICS

Type	power	maximum absorbed current	voltage	number of heating elements	dimension A	article number
	[kW]	[A]	[V]		[mm]	
RH-R-40/20-30	3	4,3	3x400	3x1000W	502	40511095
RH-R-40/20-45	4,5	6,5	3x400	3x1500W	502	40511100
RH-R-40/20-60	6	8,6	3x400	3x2000W	502	40511105
RH-R-40/20-90	9	13	3x400	2x 3x1500W	502	40511110
RH-R-40/20-120	12	17,3	3x400	2x 3x2000W	502	40511115
RH-R-50/25-45	4,5	6,5	3x400	3x1500W	322	40511135
RH-R-50/25-60	6	8,6	3x400	3x2000W	322	40511137
RH-R-50/25-90	9	13	3x400	3x3000W	322	40511140
RH-R-50/25-120	12	17,3	3x400	2x 3x2000W	532	40511145
RH-R-50/30-90	9	13	3x400	3x3000W	322	40511158
RH-R-50/30-120	12	17,3	3x400	2x 3x2000W	532	40511159
RH-R-50/30-135	13,5	19,5	3x400	3x3000W + 3x1500W	532	40511160
RH-R-60/35-90	9	13	3x400	2x 3x1500W	752	40511168
RH-R-60/35-120	12	17,3	3x400	2x 3x2000W	752	40511167
RH-R-60/35-150	15	21,7	3x400	3x2000W + 3x 2x1500W	752	40511169
RH-R-70/40-90	9	13	3x400	3x3000W	322	40511173
RH-R-70/40-120	12	17,3	3x400	2x 3x2000W	532	40511174
RH-R-70/40-150	15	21,7	3x400	2x 3x2500W	532	40511175
RH-R-80/50-90	9	13	3x400	3x 2x1500W	532	40511176
RH-R-80/50-120	12	17,3	3x400	3x 2x2000W	532	40511177
RH-R-80/50-150	15	21,7	3x400	3x 2x2500W	532	40511179
RH-R-100/50-90	9	13	3x400	3x3000W	332	40511181
RH-R-100/50-120	12	17,3	3x400	3x 2x2000W	532	40511185
RH-R-100/50-150	15	21,7	3x400	3x 2x2500W	532	40511187

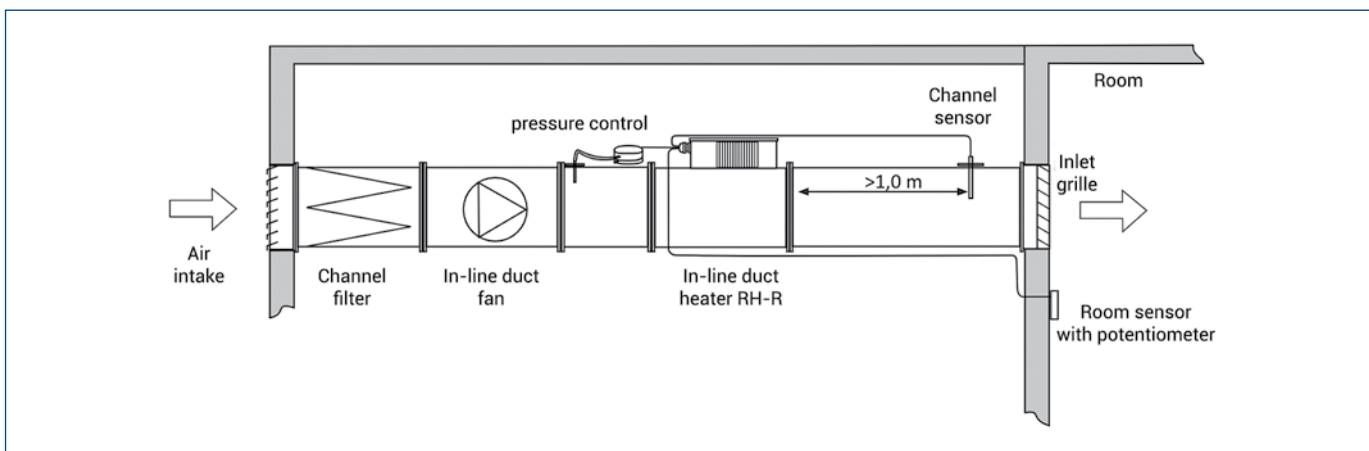
DIMENSIONS [mm]



Type	B	C	D	E	F	G	ØH
RH-R-40/20	398	198	420	220	440	240	9
RH-R-50/25	498	248	520	270	540	290	9
RH-R-50/30	498	298	520	270	540	338	9
RH-R-60/35	600	348	622	370	640	388	9
RH-R-70/40	700	398	722	420	740	438	9
RH-R-80/50	800	498	822	520	840	538	9
RH-R-100/50	1000	498	1022	520	1040	538	9

Dimension A - depending on the heating power (see technical data).

RECOMMENDED ASSEMBLY



REGULATOR AHR-15-T

Built-in regulator - AHR-15-T - controls the heater on a user-specified temperature (0-30°C) and external TG-K330 or TG-R430 / 530 room temperature sensor. The controller can operate with additional external adjuster TBI-30. Built-in regulator - AHR-15-T - controls the heater on a user-specified temperature (0-30°C) and external TG-K330 or TG-R430 / 530 room temperature sensor.

The controller can operate with additional external adjuster TBI-30. The device has the option of controlling the external 0-10V DC signal in two modes - external 0-10V setting or external control (the external temperature control function is not activated in external control).

ACCESSORIES

temp. sensor TG-K p. 653	temp. sensor TG-R 430 p. 653	temp. sensor TG-R 530 p. 653	potentiometer TBI-30 p. 653	pressure control p. 650